

~~CONFIDENTIAL~~

R-3896-1A

**SUPPLEMENT
TECHNICAL MANUAL**

176334

ENGINE DATA

F-1 ROCKET ENGINE

(TITLE UNCLASSIFIED)

(ROCKETDYNE)

(HEROICRELIQS.ORG)

**DOWNGRADED TO "UNCLASSIFIED"
i/a/w DD 254 DATED 11-18-69,
PER CONTRACT No. NAS-8-18734
AND NAS-8-5604**

THIS PUBLICATION SUPPLEMENTS TECHNICAL MANUAL R-3896-1 DATED
31 MARCH 1967.

PUBLISHED UNDER AUTHORITY OF THE NATIONAL AERONAUTICS AND SPACE ADMINISTRATION

NOTICE: This material contains information affecting the National Defense of the United States within the meaning of the Espionage Laws, Title 18, U.S.C., Sections 793 and 794, the transmission or revelation of which in any manner to an unauthorized person is prohibited by law.

~~CONFIDENTIAL~~

This page is Unclassified

13 FEBRUARY 1968

**DOWNGRADED AT 3 YEAR INTERVALS;
DECLASSIFIED AFTER 12 YEARS.
D.O.D. DIR. 5200.10.**

LIST OF EFFECTIVE PAGES

TOTAL NUMBER OF PAGES IN THIS PUBLICATION IS 6 CONSISTING OF THE FOLLOWING:

<i>Page No.</i>	<i>Issue</i>	<i>Page No.</i>	<i>Issue</i>	<i>Page No.</i>	<i>Issue</i>
Title.....	Original				
A.....	Original				
1-1 thru 1-4.....	Original				

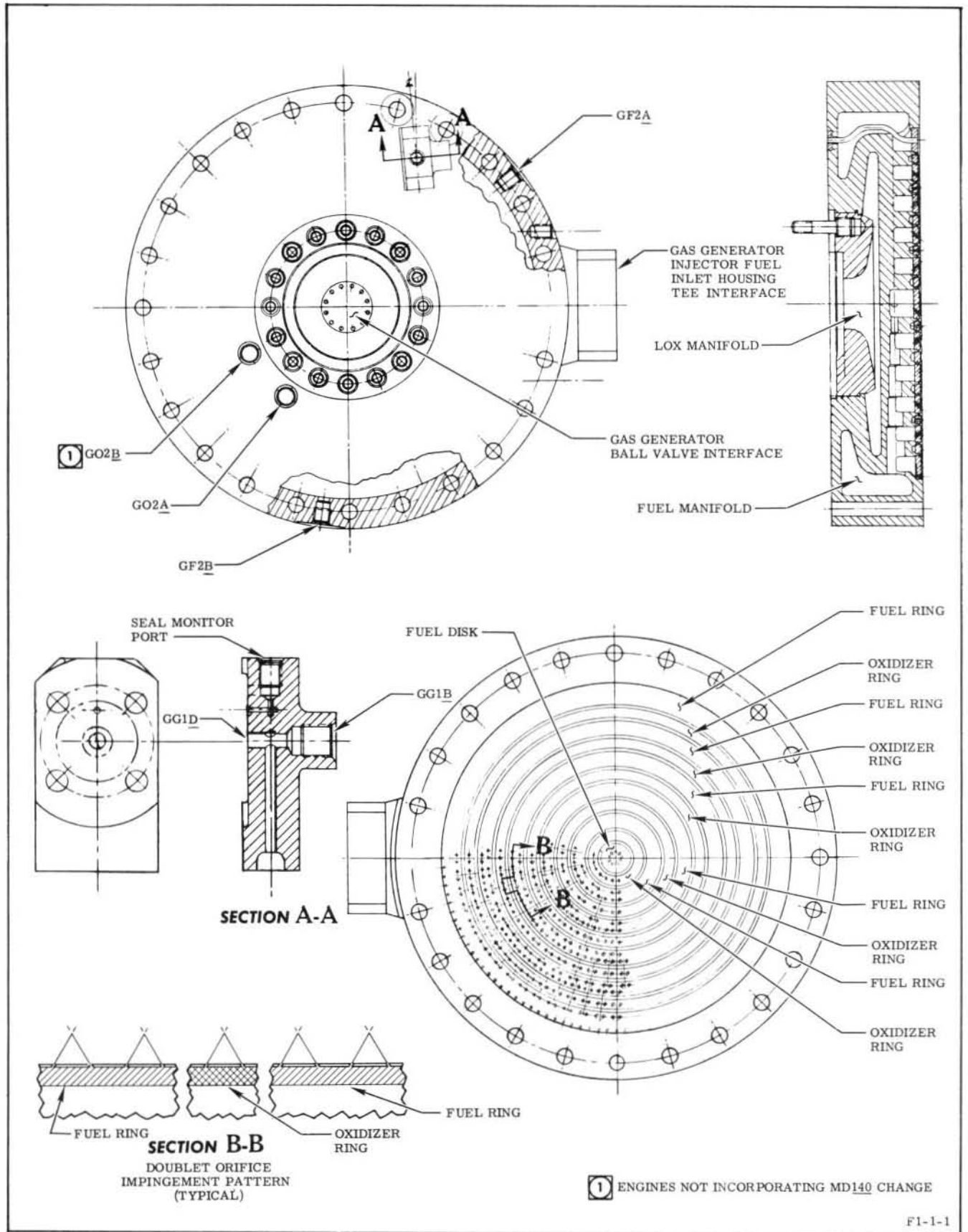


Figure 1-14. (C) Gas Generator Injector--Cutaway View

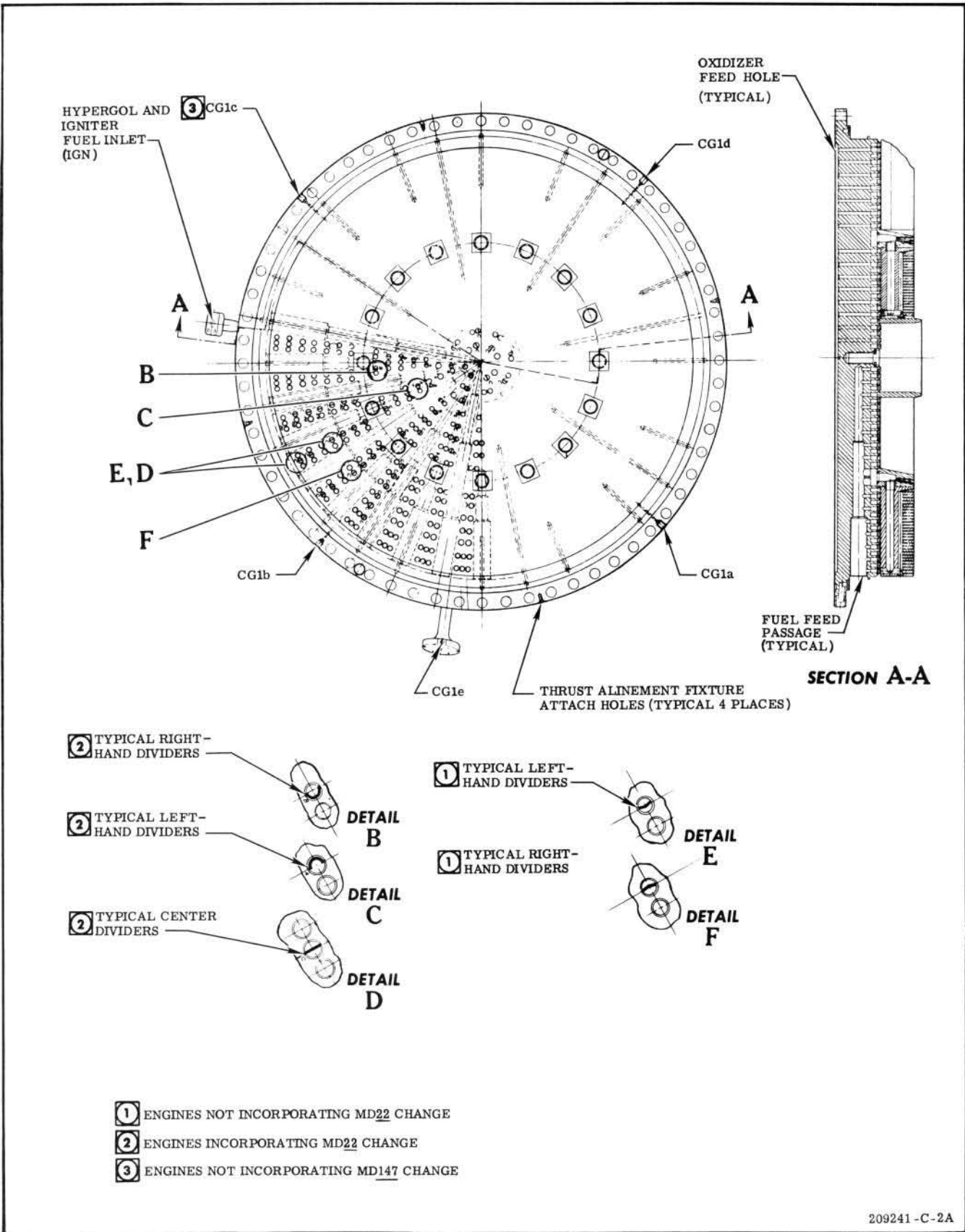


Figure 1-24. (C) Thrust Chamber Injector--Cutaway View (Sheet 1 of 2)

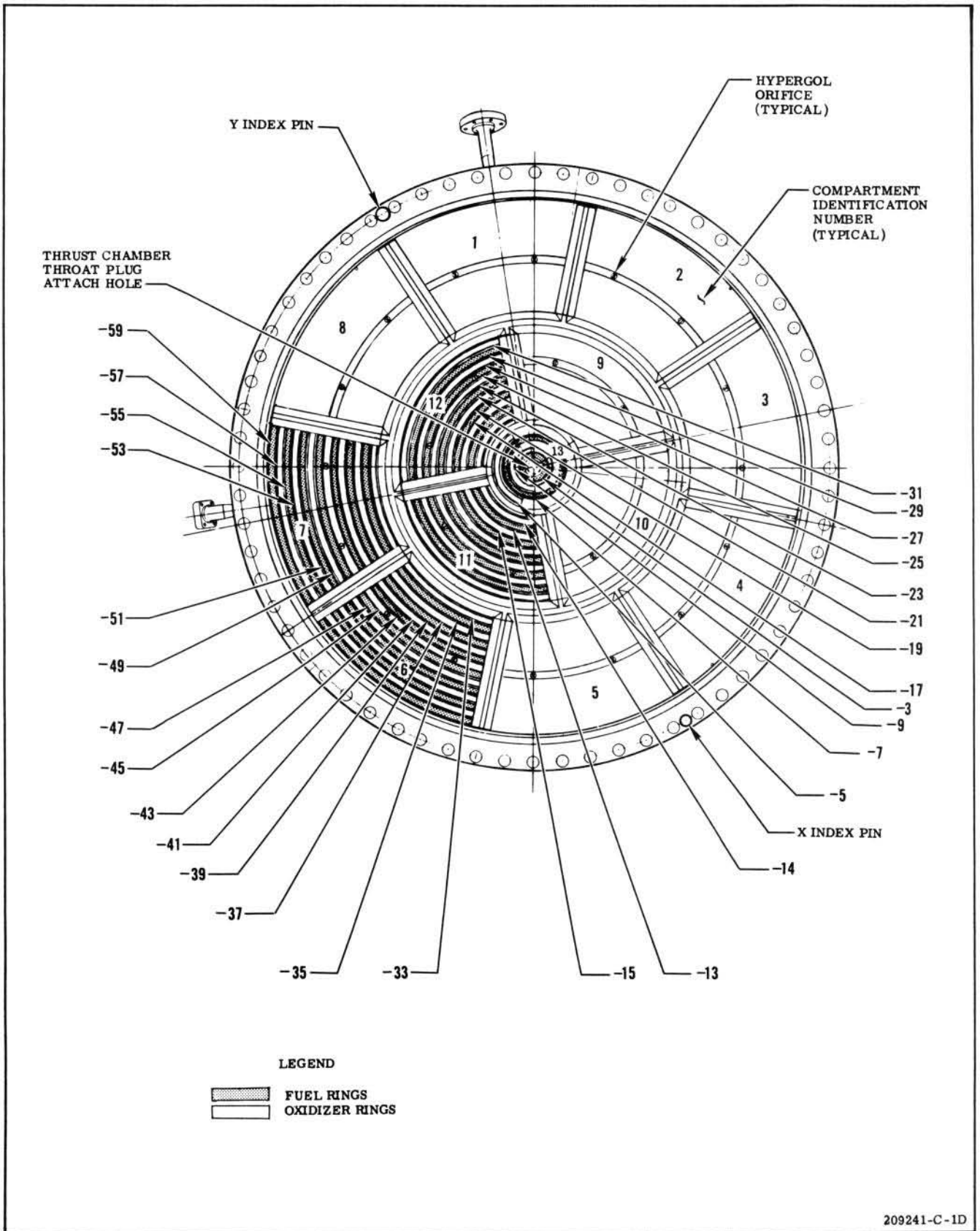
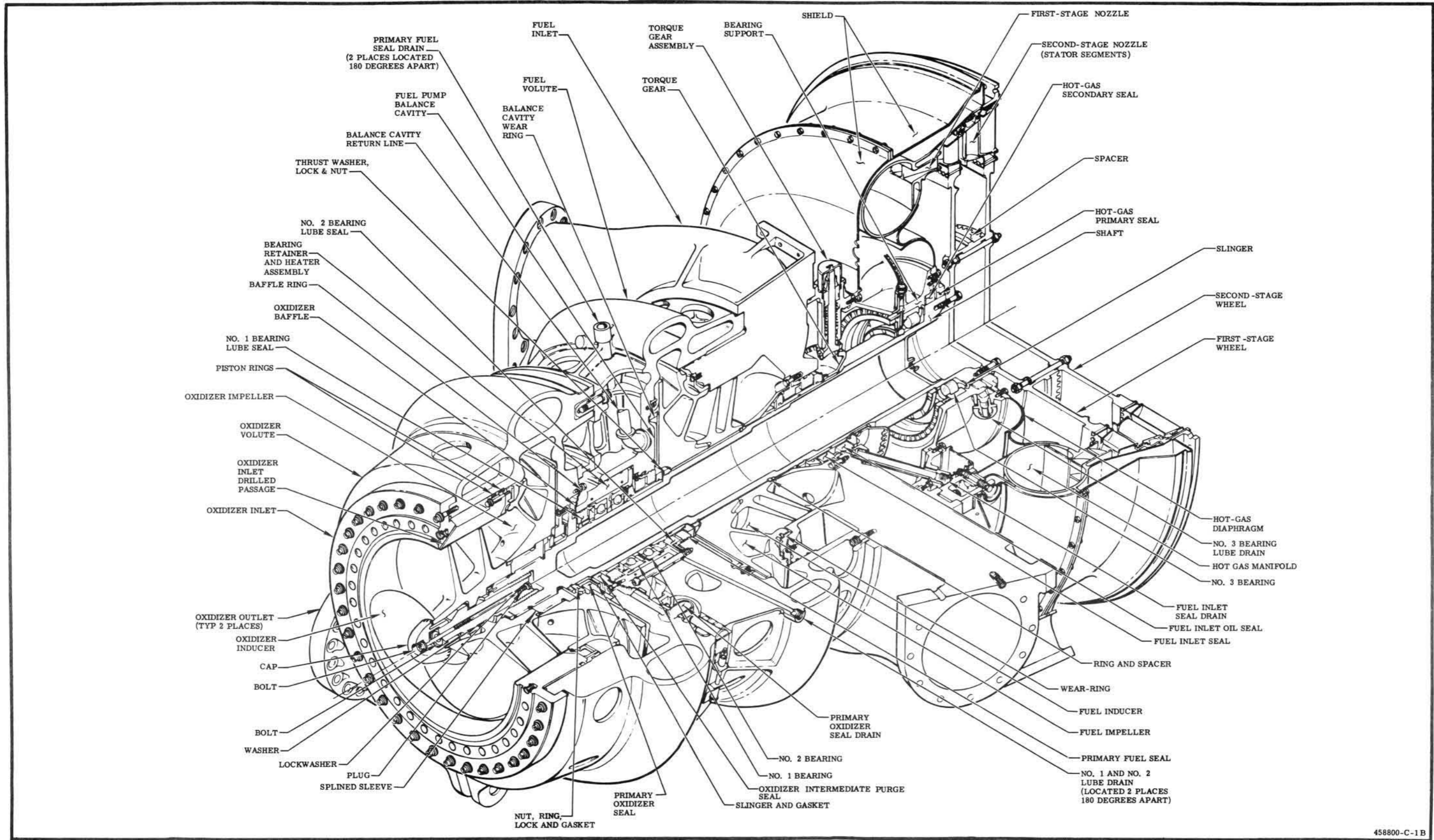


Figure 1-24. (C) Thrust Chamber Injector--Cutaway View (Sheet 2 of 2)



458800-C-1B

Figure 1-30. (C) Turbopump--Cutaway View