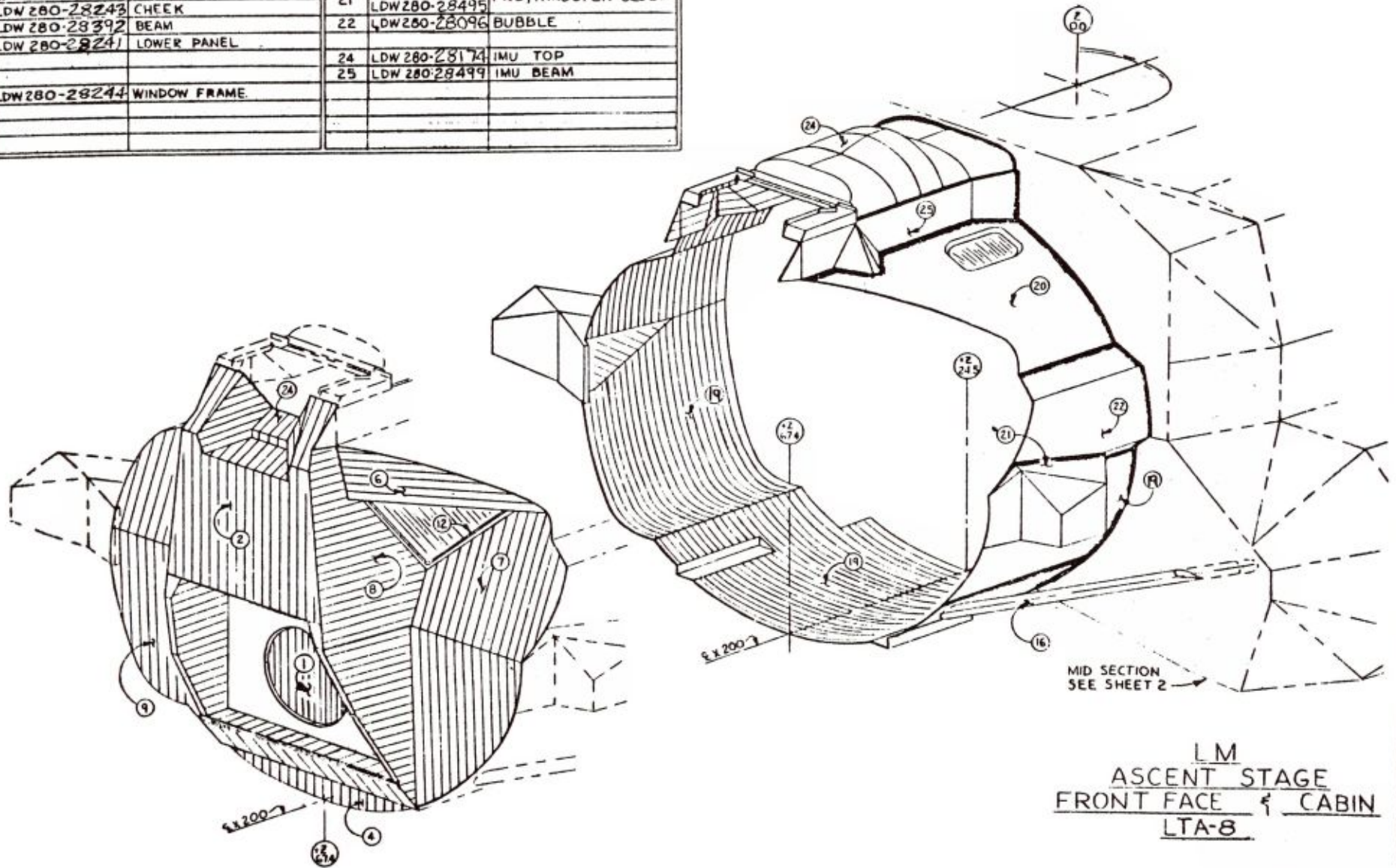


LUNAR MODULE  
STRUCTURE  
 &  
THERMAL SHIELDING

7-20-67  
 PRR 7-18-67  
 engineering scheduling 8/1/67  
 SK 17-10-18

THERMAL SHIELD INSTL LDW 280-28173

FRONT FACE SHIELDING			CABIN SHIELDING		
1	LDW 280-28175	FWD HATCH	16	LDW 280-28875	DRAG STRUT
2	LDW 280-28176	CENTER PANEL			
4	LDW 280-28279	LOWER BULKHEAD	19	LDW 280-28178	BOTTOM
			20	LDW 280-28377	UPPER
6	LDW 280-28242	BROW	21	LDW 280-28179	FWD THRUSTER CLUST.
7	LDW 280-28243	CHEEK		LDW 280-28495	
8	LDW 280-28392	BEAM	22	LDW 280-28096	BUBBLE
9	LDW 280-28241	LOWER PANEL			
			24	LDW 280-28174	IMU TOP
			25	LDW 280-28499	IMU BEAM
12	LDW 280-28244	WINDOW FRAME			



LM  
 ASCENT STAGE  
 FRONT FACE & CABIN  
 LTA-8



**THERMAL SHIELDING LDW 280-28150**

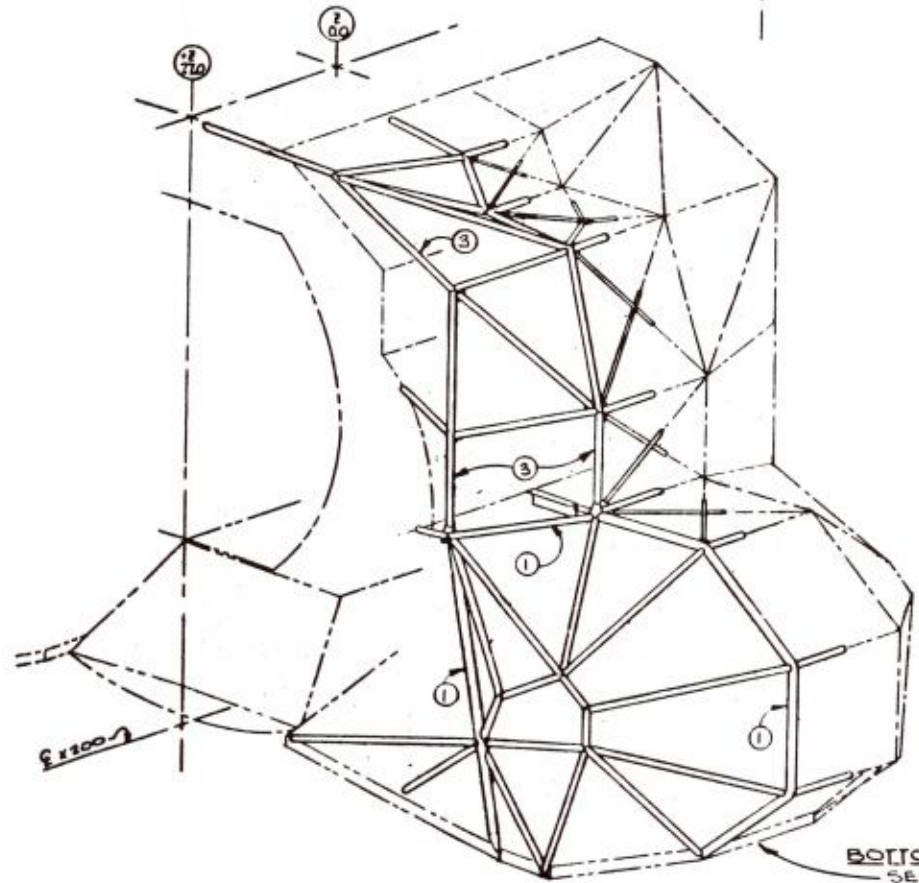
ITEM	DRAWING	TITLE
1	LDW 280-28155	CAGE INSTL LH TANK
	LDW 280-28226	CAGE ASSY LH TANK
2	LDW 280-28160	SHLD INSTL LH TANK
3	LDW 280-28381	CAGE INSTL LH & RH SIDE
	LDW 280-28382	CAGE ASSY LH & RH SIDE
4	LDW 280-28163	SHLD INSTL LH & RH SIDE
5	LDW 280-28861	SHIELD, TOP $\times 312 \frac{1}{2}$
6	LDW 280-28851	SHLD, FWD (AFT, TANKS)
7	LDW 280-28853	SHLD, FWD (AFT, BLKRD)
8	LDW 280-28282	SHLD INSTL, UPR HATCH
9	LDW 280-28154	SHLD INSTL, UPR BLKRD
11	LDW 280-28398	BRKT, DOCKING LIGHT
12	LDW 280-28895	FWD VHF ANTENNA
13	LDW 280-28885	STEERABLE ANTENNA

**(2) SHLD INSTL LH TANK LDW 280-28160**

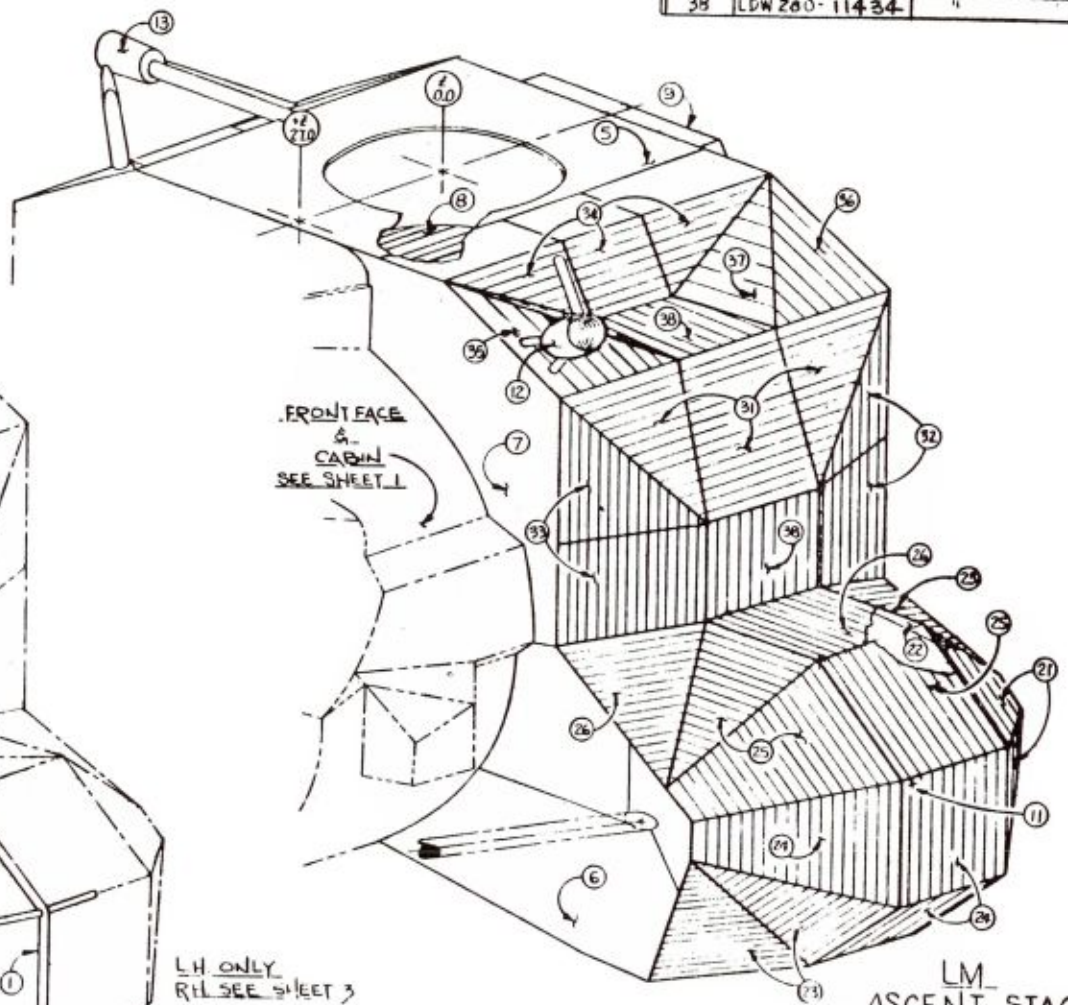
ITEM	DRAWING	TITLE
21	LDW 280-11437	SHIELD
22	LDW 280-11438	"
23	LDW 280-11439	"
24	LDW 280-11440	"
25	LDW 280-11441	"
26	LDW 280-11442	"

**(4) SHLD INSTL LH & RH SIDE LDW 280-28163**

ITEM	DRAWING	TITLE
31	LDW 280-11426	SHIELD
32	LDW 280-11427	"
33	LDW 280-11428	"
34	LDW 280-11429	" L.H. ONLY
	LDW 280-11430	" R.H. ONLY
35	LDW 280-11431	"
36	LDW 280-11432	"
37	LDW 280-11433	"
38	LDW 280-11434	"



BOTTOM THERMAL ASSY.  
SEE SHEET 4.



L.H. ONLY  
R.H. SEE SHEET 3

LM  
ASCENT STAGE  
MID SECTION  
LTAB

7-20-67  
COMPLETE REVISION RRR 4-25-67  
ENGINEERING SCHEDULING 7-10-66

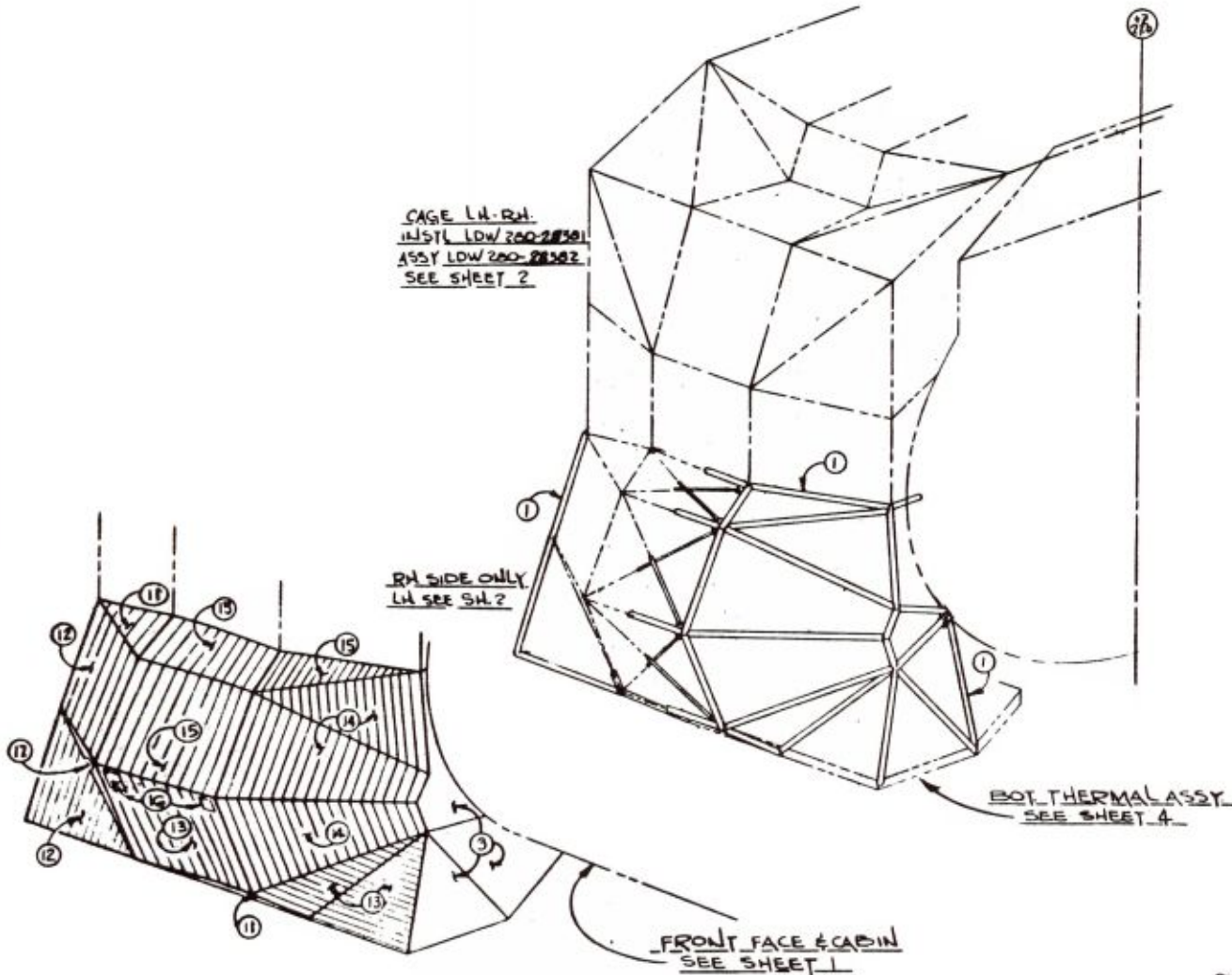
SHEET 2  
SK 17-30-18

**THERMAL SHIELDING LDW 280-28150**

ITEM	DRAWING	TITLE
1	LDW 280-28156	CAGE INSTL. R.H. TANK
	LDW 280-28231	CAGE ASSY. R.H. TANK
2	LDW 280-28161	SHLD INSTL. R.H. TANK
3	LDW 280-28851	SHLD INSTL. FWD (AFT) TK

**(2) SHIELDING INSTL. R.H. TK LDW 280-28161**

ITEM	DRAWING	TITLE
11	LDW 280-11445	SHIELD
12	LDW 280-11446	"
13	LDW 280-11447	"
14	LDW 280-11448	"
15	LDW 280-11449	"
16	LDW 280P11500	"
17	LDW 280P11517	FAIRING



LM  
ASCENT STAGE  
MID SECTION  
LTA-8

COMPLETE REVISION PRR-4-26-67  
ENGINEERING SCHEDULING 46 10-11-67

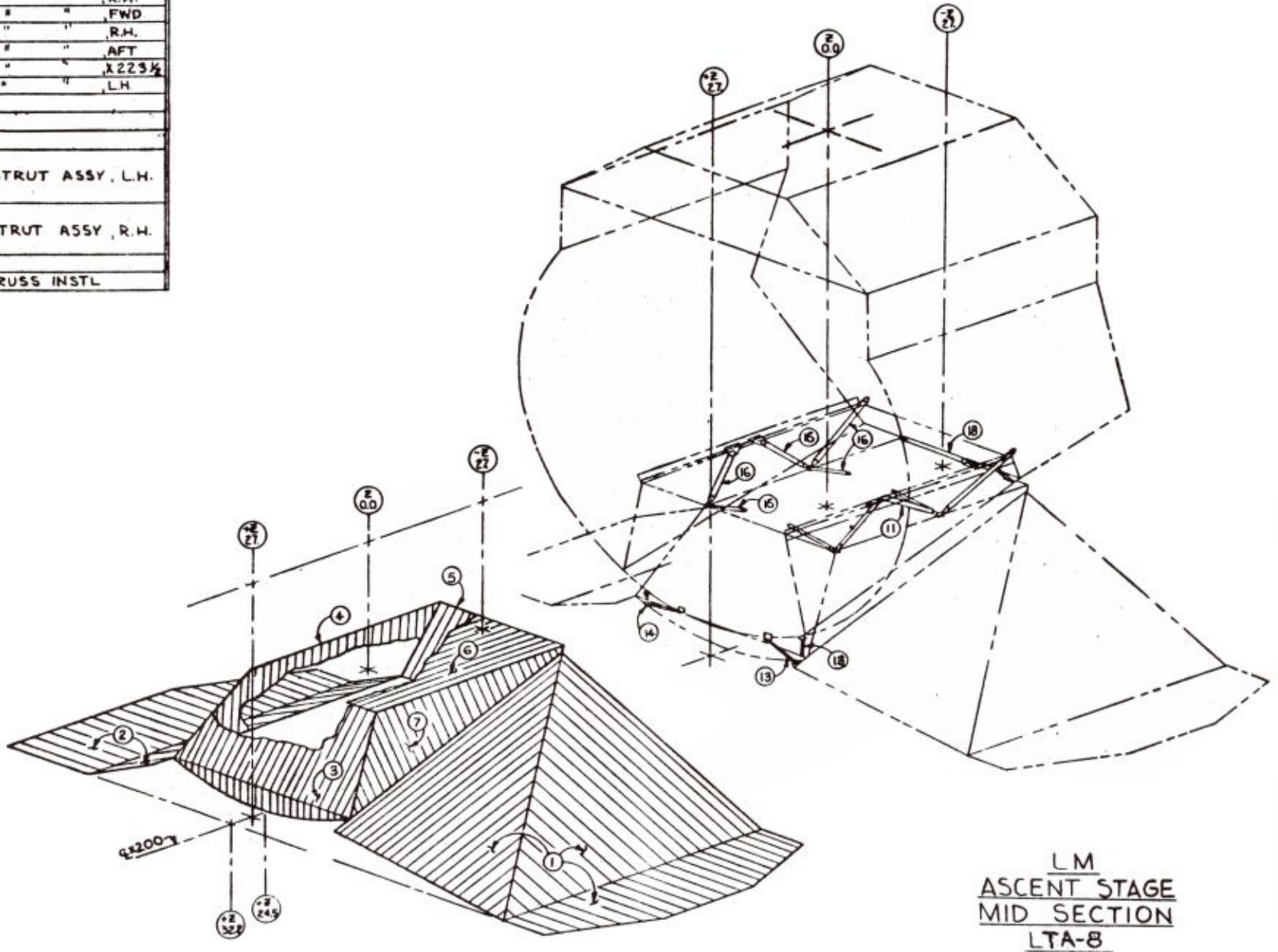
SHEET 3

SK 17-30-18!



THERMAL SHIELDING LDW 280-28153

ITEM	DRAWING	TITLE
1	LDW 280-28153	PANEL INSTL, L.H.
2	LDW 280-28162	" " R.H.
3	LDW 280-28203	" " FWD
4	LDW 280-28222	" " R.H.
5	LDW 280-28223	" " AFT
6	LDW 280-28224	" " X223 1/2
7	LDW 280-28225	" " LH
11	LDW 280-28866	STRUT ASSY, L.H.
13	LDW 280-28879	
14	LDW 280-28481	STRUT ASSY, R.H.
16	LDW 280-28867	
18	LDW 280-28165	TRUSS INSTL



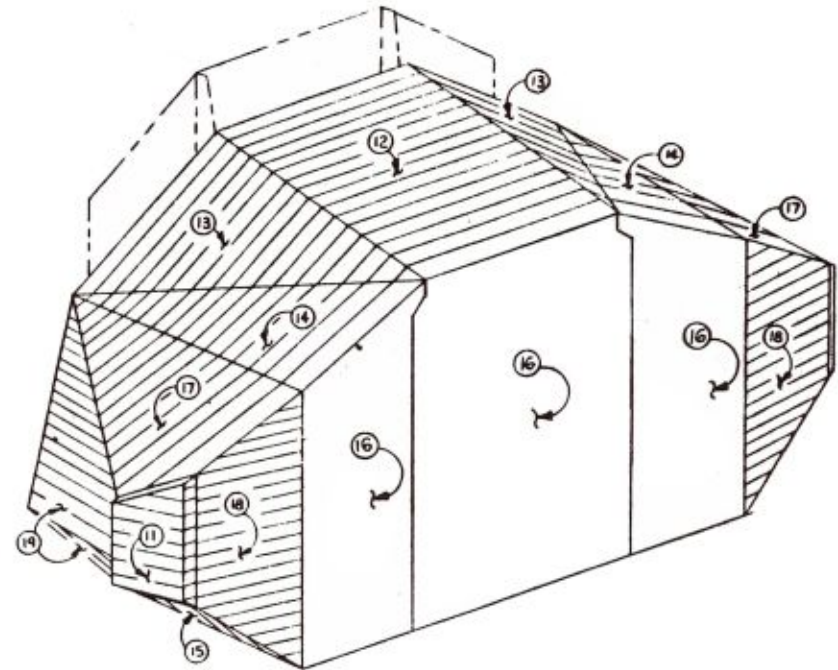
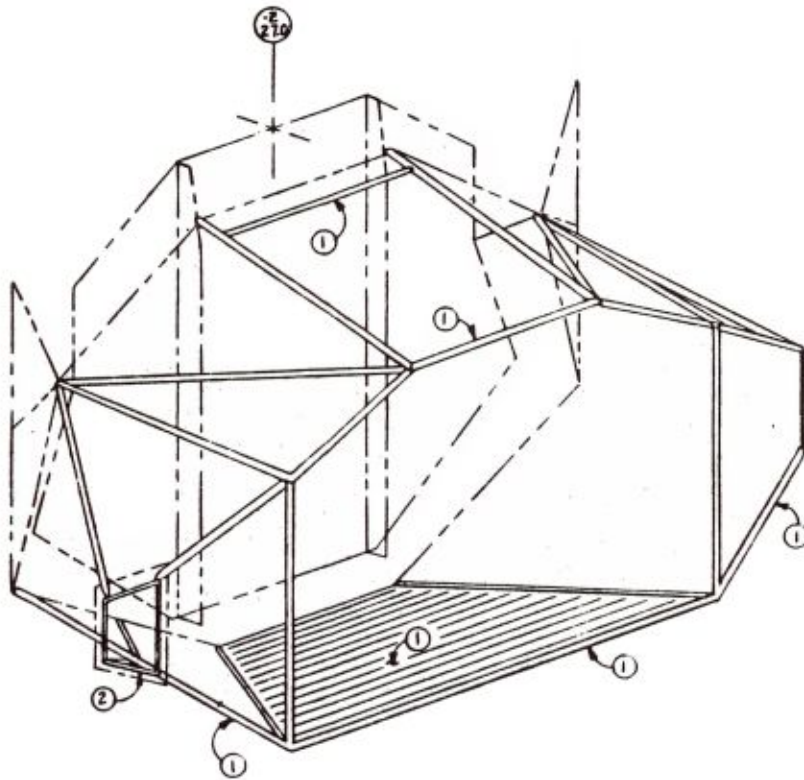
LM  
ASCENT STAGE  
MID SECTION  
LTA-8

**THERMAL SHIELDING LDW 280-28450**

1	LDW 280-28451	CAGE ASSY
2	LDW 280-28452	PANEL ASSY
3	LDW 280-28453	SUPT INSTL, RCS AFT
3	LDW 280-28453	SHIELD INSTL

**(3) SHIELDING INSTL LDW 280-28453**

11	LDW 280-28871	SHLD INSTL, RCS AFT
12	LDW 280-14393	SHLD ASSY, UPR MID
13	LDW 280-14394	" " " INBD
14	LDW 280-14395	" " " OUTBD
15	LDW 280-14399	" " " LWR SIDE
16	LDW 280-14392	" " " ACCESS
17	LDW 280-14396	" " " UPR SIDE
18	LDW 280-14397	" " " AFT SIDE
19	LDW 280-14398	" " " SIDE ACC



LM  
ASCENT STAGE  
AFT EQUIPMENT BAY  
LTA-B

7-20-67  
ENGINEERING SCHEDULING PRR 5-2-67

SHEET 5

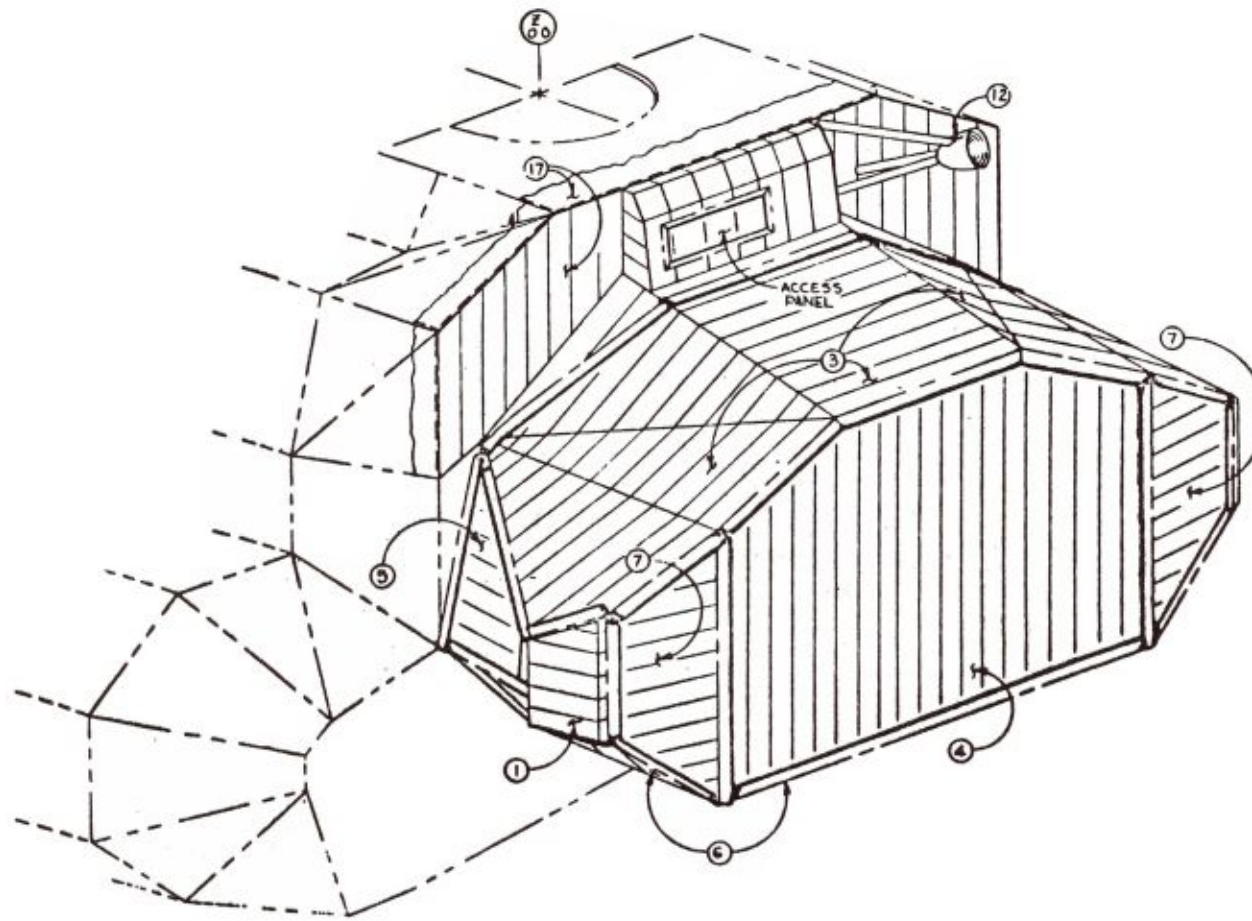
SK 17-30-18





ASCENT STAGE BLANKET INSTALLATIONS		
AFT EQUIPMENT BAY LDW280-28453		
1	LDW280-28897	RCS, AFT R.H. & L.H.
3	LDW280-14435	BLANKET, TOP
4	LDW280-14436	BLANKET, BACK
5	LDW280-14437	BLANKET, RH & LH, SIDE
6	LDW280-14438	BLANKET, BOTTOM
7	LDW280-14439	BLANKET, R.H. & L.H. BACK

MID SECTION SEE SHEET G		
12	LDW280-28896	AFT, VHF ANTENNA
17	LDW280-28856	UPPER R.H. & L.H. SIDE



LM  
 ASCENT STAGE  
 AFT EQUIPMENT BAY  
 BLANKET INSTL  
 LTAB

SHEET 7

ENGINEERING SCHEDULING P.R.R. 7-20-67  
 4-11-67

SK17-30-'18



CABIN PRIME STRUCTURE LDW280-28010

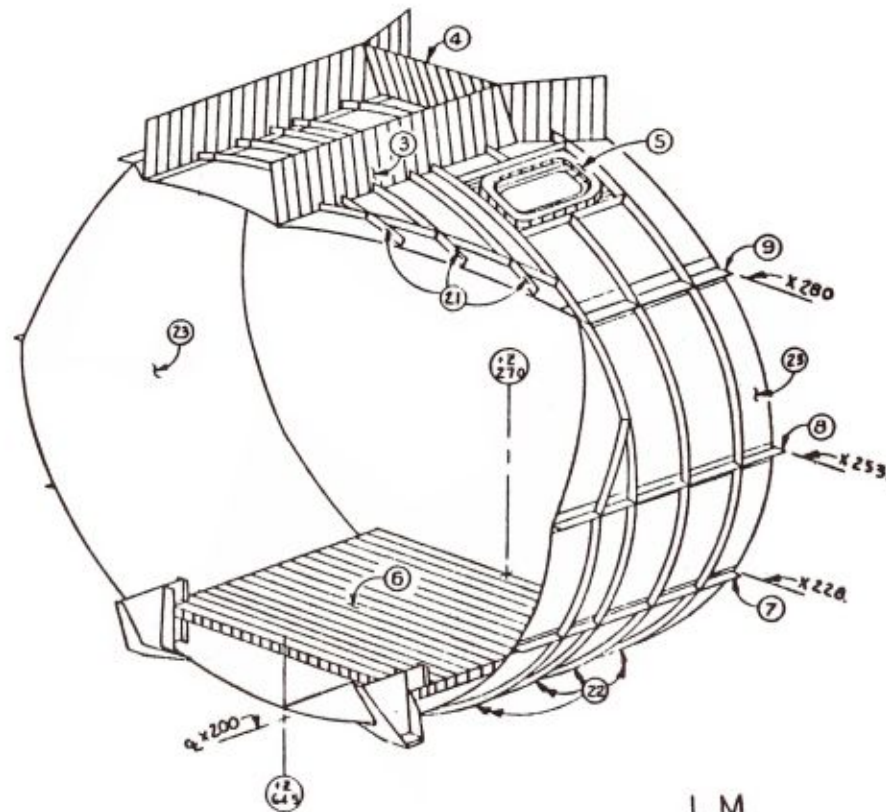
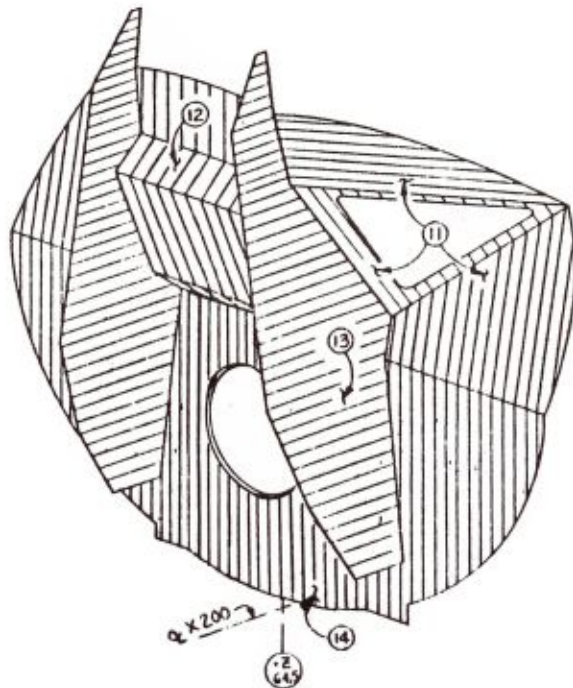
ITEM	DRAWING	TITLE
	LDW280-28075	FACE ASSY
1	LDW280M28137	FRONT FACE MACHINING
2	LDW280-28051	CABIN SKIN INSTL
3	LDW280-28031	IMU BEAM INSTL
4	LDW280-28114	FRAME INSTL CANTED
5	LDW280-28023	CABIN WINDOW INSTL UPR
6	LDW280H23060	FLOOR ASSY 1 INSTL
7	LDW280-28025	LONGERON INST X228KH
	LDW280-28049	LONGERON INST X228LH
8	LDW280-28047	LONGERON INST X252-X253
9	LDW280-28048	LONGERON INST X280

① FRONT FACE MACHINING LDW280M28137  
FRONT FACE ASSY LDW280-28011

ITEM	DRAWING	TITLE
11	LDW280-28015	PNL ASSY CHEEK/BROW/WIND
12	LDW280-28016	PNL ASSY UPR CENTER
13	LDW280M10085	WEB BEAM
14	LDW280M10086	BULKHEAD UPR

② CABIN SKIN INSTL LDW280-28051

ITEM	DRAWING	TITLE
21	LDW280-28021	FRAME INSTL UPR
22	LDW280-28074	FRAME INSTL
23	LDW280-28013	SKIN ASSY



LM  
ASCENT STAGE  
FRONT FACE & CABIN  
LTA-8

ENGINEERING SCHEDULING PRR. 7-20-67  
5-8-67

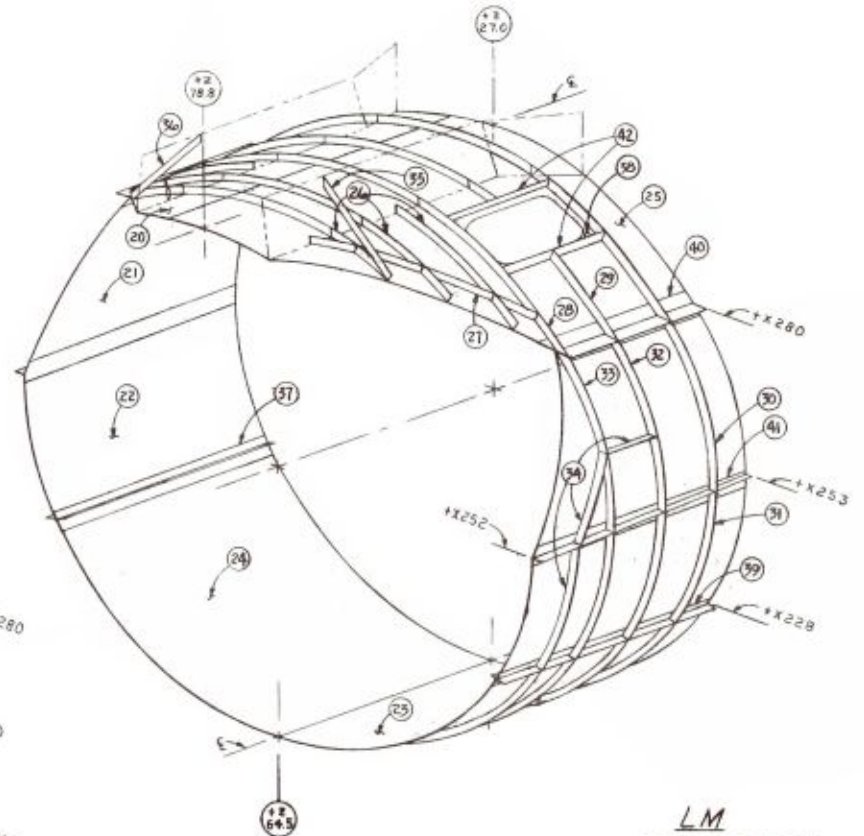
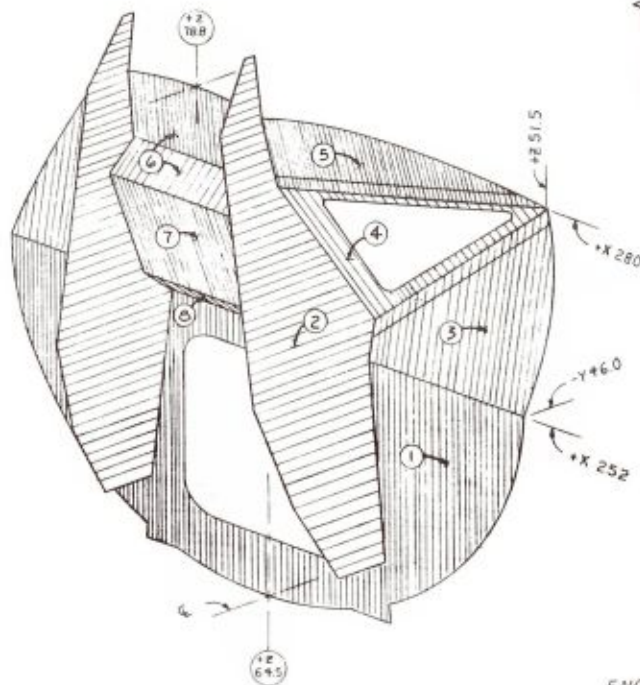
SK 17-31-18

CABIN - LDW280-28051

ITEM	DRAWING	TITLE
20	LDW280-10155	SKIN-RH UPPER
21	LDW280-10156	" X280 TO 252, R&L.H
22	LDW280-10157	" X252 TO 228, R&L.H
23	LDW280-10158	" L.H. LOWER
24	LDW280-10159	" R.H. LOWER
25	LDW280-10154	" L.H. UPPER
26	LDW280-10235	FRAME + Z67, 61, 55
27	LDW280-10236	" BROW
28	LDW280-10233	" + Z51, FROM X280 UPPER
29	LDW280-10241	" + Z42, " " "
30	LDW280-10237	" + Z33, " X252 "
31	LDW280-10232	" " " " LOWER
32	LDW280-10234	" + Z42 " X280 "
33	LDW280-10240	" + Z51 " " "
34	LDW280-10231	" + Z58 " X252 "
35	LDW280-10248	STRUCT ASSY - Z67 LEFT HAND
36	LDW280-10251	STRUCT ASSY +Z67 RIGHT HAND
37	LDW280M10028	LONGERON (CRUCIFORM) RH. X228
38	LDW280M10062	FRAME, WINDOW, UPPER
39	LDW280M10025	LONGERON (CRUCIFORM) LH. X228
40	LDW280M10026	" " " X280
41	LDW280M10027	" " " X252
42	LDW280-10238	FRAME, WINDOW

FRONT FACE - LDW280-28011

ITEM	DRAWING	TITLE
1	LDW280M10109	BULKHEAD, LOWER F/F
2	LDW280M10085	WEB F/F BEAM
3	LDW280M10007	PANEL, CHEEK
4	LDW280M10105	FRAME, WINDOW, CABIN
5	LDW280M10006	PANEL, BROW
6	LDW280M10066	PANEL, UPPER CENTER
7	LDW280M10010	PANEL, LOWER CENTER
8	LDW280-10119	PANEL, CANTED



LM  
ASCENT STAGE  
FRONT FACE & CABIN  
LTA-8

10-10-66  
ENGINEERING SCHEDULING - E.F.M. 3-13-65

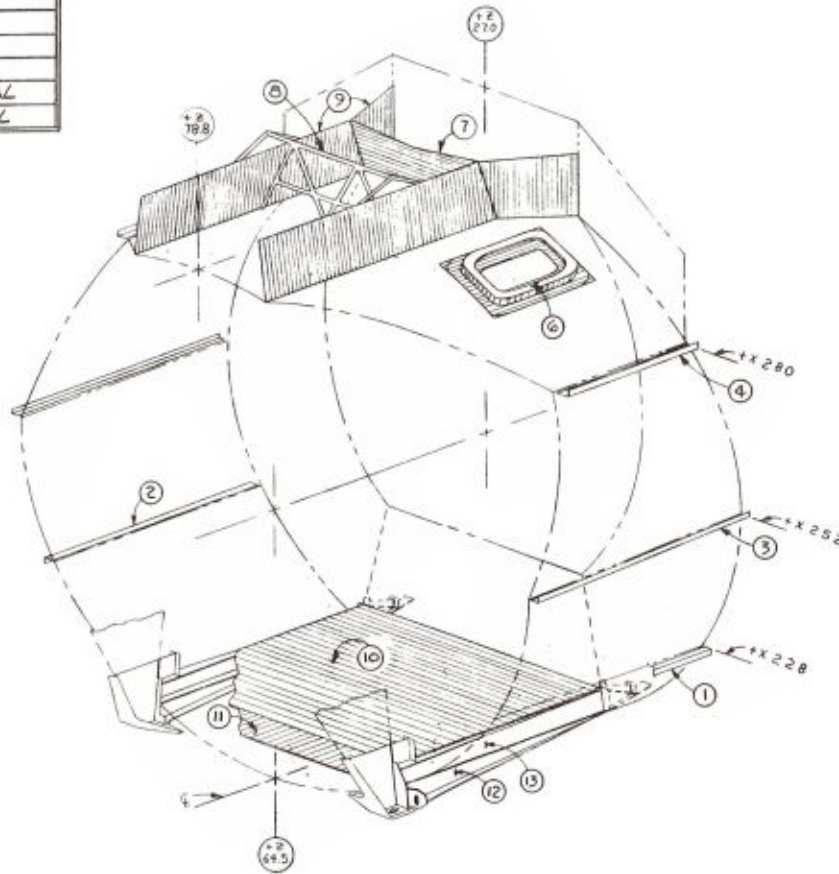
SHEET 1

SK17-31-18



CABIN ASSY

ITEM	DRAWING	TITLE
1	LDW280-28049	LONGERON INSTL. X288 LH
	LDW280M10034	CAPSTRIP X288 LH.
2	LDW280-28025	LONGERON INSTL X288 RH.
	LDW280M10038	CAPSTRIP X288 RH
3	LDW280-28047	LONGERON INSTL X252
	LDW280M10114	CAPSTRIP X252
4	LDW280-28048	LONGERON INSTL. X280
	LDW280M10092	CAPSTRIP X280
6	LDW280-28023	WINDOW INSTL., UPPER DOCKING
7	LDW280-28114	PANEL - Z39 CANTED
8	LDW280-28066	FRAME INSTL - Z55, NAV. BASE Supt.
9	LDW280-28031	BEAM INSTL., IMU
10	LDW280H23060	FLOOR ASSY. & INSTL.
11	LDW280-10218	BEAM INSTL. - X218, 1Y22
12	LDW280M10064	FITTING FWD. INTERSTAGE, EXTERNAL
13	LDW280M10065	" " " " INTERNAL



LM  
ASCENT STAGE  
CABIN ASSY  
LTA-8

ENGINEERING SCHEDULING · E.F.M. · 3-13-65

SHEET 2

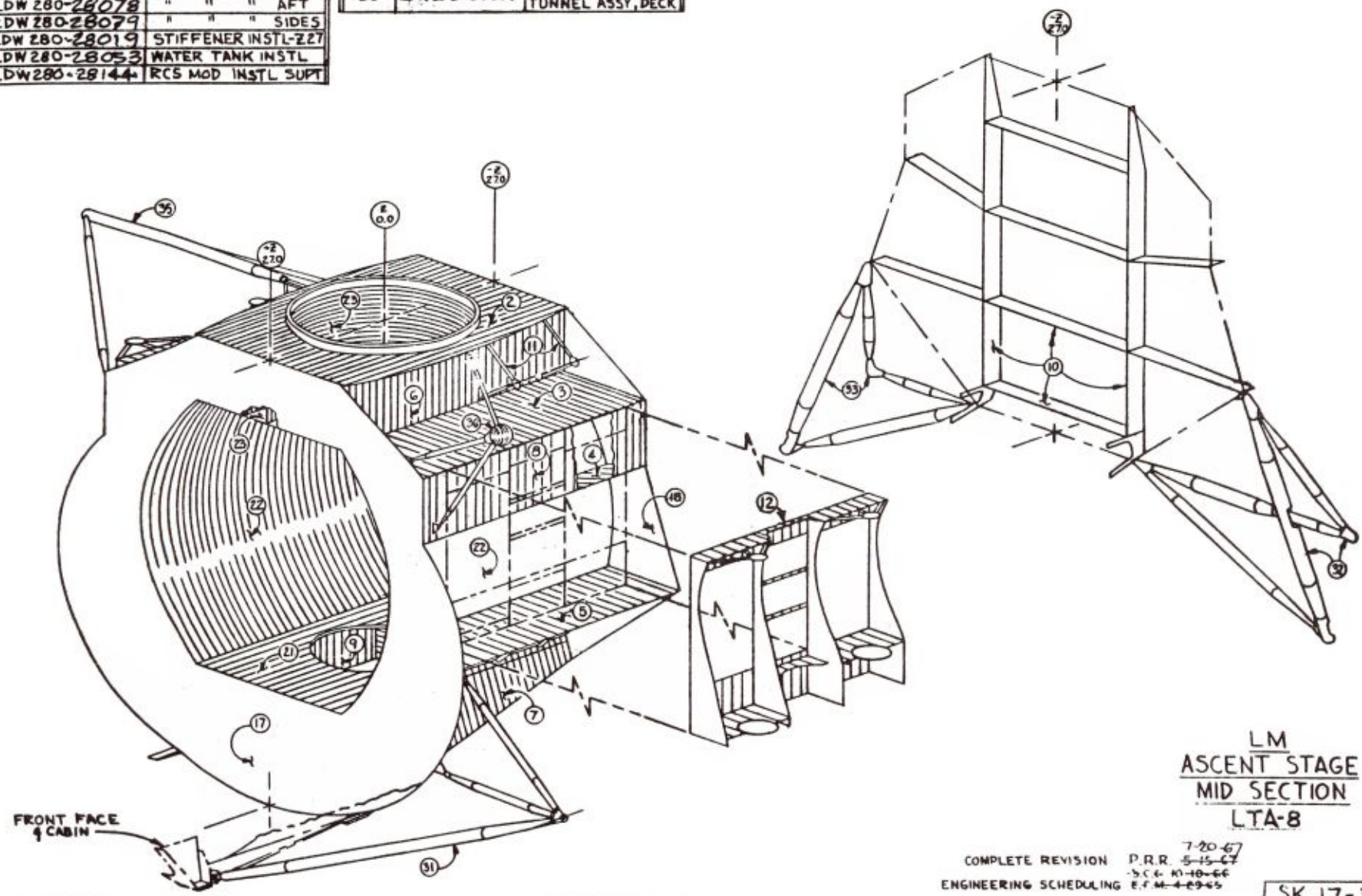
SK17-31-18

⑥ MID SECTION STRUCTURE LDW 280 28012		
ITEM	DRAWING	TITLE
1	LDW 280-28020	SKIN INSTL
2	LDW 280-28027	DECK ASSY X310
3	LDW 280-28039	" " X294
4	LDW 280-28032	" " INSTL X277
5	LDW 280-28029	" INSTL X253
6	LDW 280-28028	BEAM ASSY INSTL Y174
7	LDW 280-28030	" " " " Y22
8	LDW 280-28044	WEB INSTL Y136 3/4
9	LDW 280-28077	BEAM INST, ENG FWD
	LDW 280-28078	" " " " AFT
	LDW 280-28079	" " " " SIDES
10	LDW 280-28019	STIFFENER INSTL-Z27
11	LDW 280-28053	WATER TANK INSTL
12	LDW 280-28144	RCS MOD INSTL SUPT

① SKIN INSTL LDW 280 28020		
16	LDW 280-28041	SKIN WELD DECK ASSY
17	LDW 280M10001	BULKHEAD, FWD
18	LDW 280M10232	" " " " AFT

③ SKIN WELD DECK ASSY LDW 280-28041		
21	LDW 280M10003	DECK, LOWER
22	LDW 280-28014	SKIN ASSY
23	LDW 280-28017	DECK ASSY, UPR
		TUNNEL ASSY, DECK

STRUCTURE ASSY A/S LDW 280-28002		
31	LDW 280-28024	TRUSS INSTL TANK SUPT
32	LDW 280-28036	" " " " AFT LH
33	LDW 280-28037	" " " " " R.H.
35	LDW 280-23256	STEERABLE ANT SUPT
36	LDW 280-23257	FWD VHF ANTENNA SUPT
38	LDW 280-28012	MID SECTION STRUCTURE



LM  
ASCENT STAGE  
MID SECTION  
LTA-8

COMPLETE REVISION P.R.R. 5-15-67  
ENGINEERING SCHEDULING E.F.M. 4-29-65

SK 17-32-18

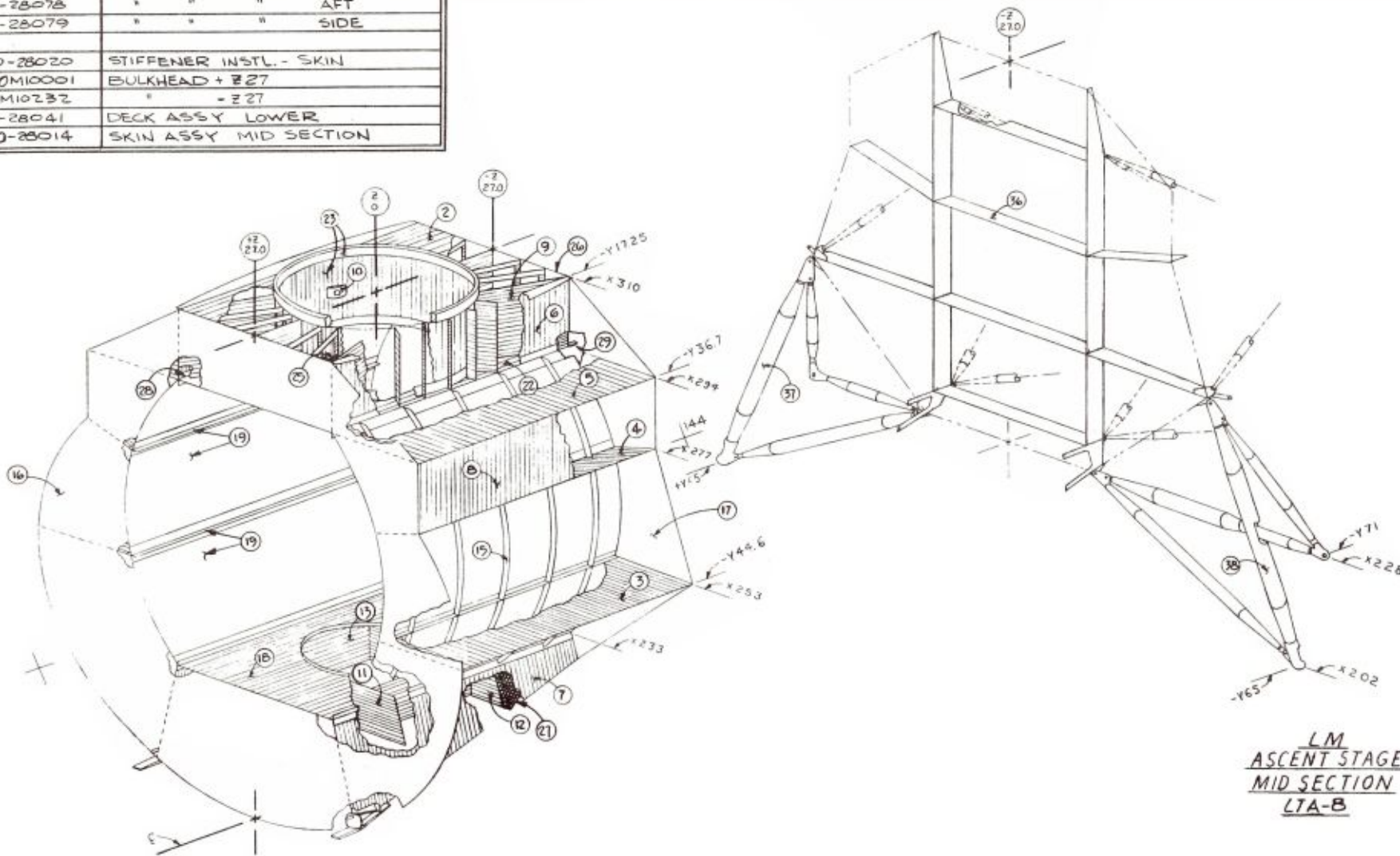


MID SECTION STRUCTURAL ASSEMBLY LDW280-28012

ITEM	DRAWING	TITLE
2	LDW280-28027	DECK ASSY X 310
3	LDW280-28029	DECK INSTL X253
4	LDW280-28032	DECK ASSY & INSTL X 277 CANTED
5	LDW280-28035	" " " " X 294
6	LDW280-28028	BEAM ASSY & INSTL ± Y17.25
7	LDW280-28030	" " " " ± Y22
8	LDW280-28044	WEB INSTL ± Y36.7
9	LDW280-28050	" " DOCKING TUNNEL
10	LDW280-28076	FTG INSTL DKG.TNL DROGUE SUPT.
11	LDW280-28077	BEAM INSTL, ENGINE, FORWARD
12	LDW280-28078	" " " " AFT
13	LDW280-28079	" " " " SIDE
15	LDW280-28020	STIFFENER INSTL. - SKIN
16	LDW280M10001	BULKHEAD + Z27
17	LDW280M10232	" - Z27
18	LDW280-28041	DECK ASSY LOWER
19	LDW280-28014	SKIN ASSY MID SECTION

ITEM	DRAWING	TITLE
22	LDW280-28017	DECK ASSY UPPER X294
23	LDW280-28022	TUNNEL ASSY-UPPER DOCKING
25	LDW280-28126	FITTING INSTL + Z27, ± Y17.25
26	LDW280-28127	" " - Z27, ± Y17.25
27	LDW280-28100	STIFFENER INSTL. LOWER DECK
28	LDW280-28124	FITTING INSTL + Z27 ± 17.25
29	LDW280-28125	" " - Z27 ± 17.25

ITEM	DRAWING	TITLE
36	LDW280-28019	STIFFENER INSTL - Z27 BULKHEAD
37	LDW280-28036	AFT INTER STAGE TRUSS, LH.
38	LDW280-28037	" " " " , RH.



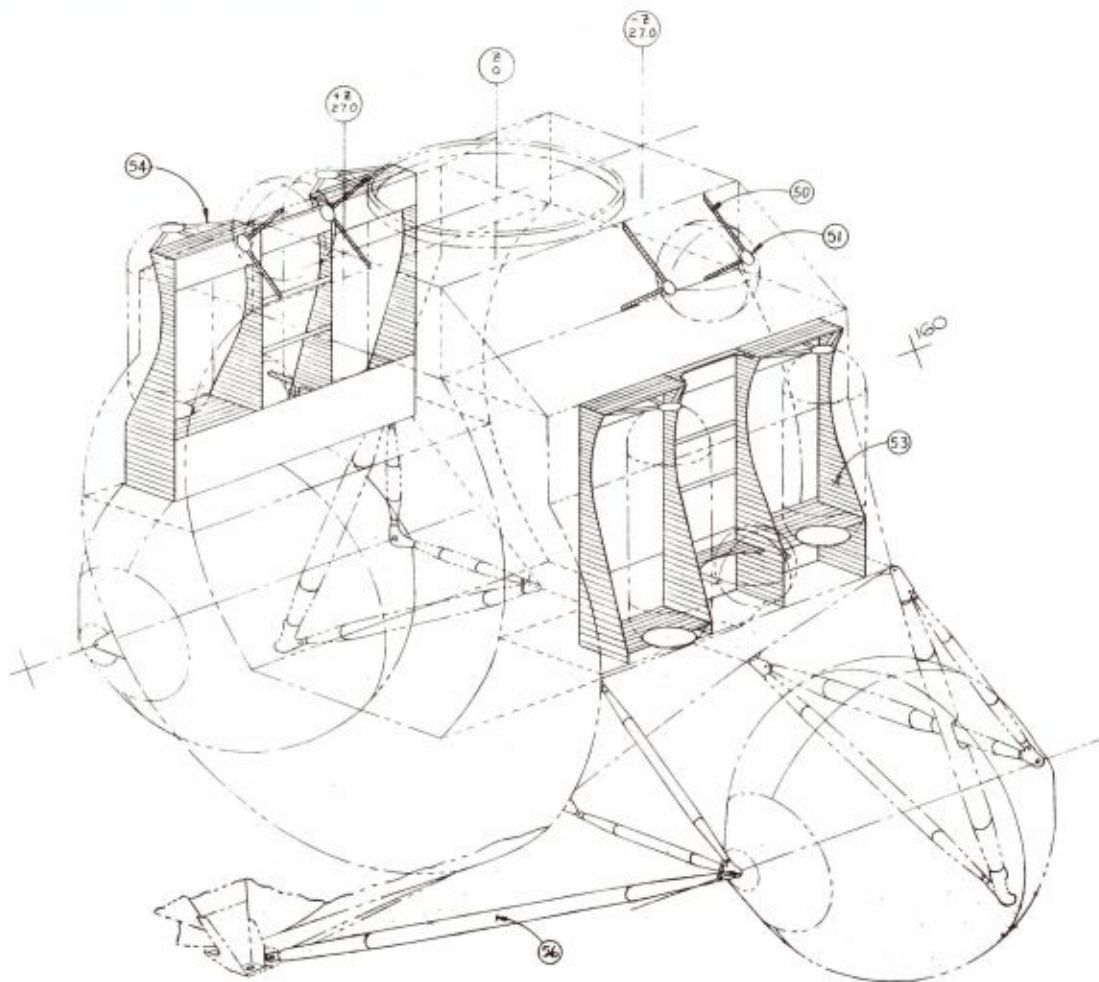
LM  
ASCENT STAGE  
MID SECTION  
LTA-B

10-10-66  
ENGINEERING SCHEDULING - EFM. 4-13-65

SHEET 1  
SK17-32-18

MID SECTION

ITEM	DRAWING	TITLE
	LDW280-28053	TANK INSTL-WATER
50	LDW280M10071	FITTING, WATER TANK, LWR SUPPORT
51	LDW280M10285	RETAINER, WATER TANK
	LDW280-28026	TANK SUPT. ASSY & INSTL, RCS
53	LDW280-10112	FRAME, TANK SUPT, RCS
54	LDW280-10115	ANGLE TANK SUPT, RCS
56	LDW280-28024	TANK SUPPORT ASSY-FUEL



LM  
 ASCENT STAGE  
 MID SECTION  
 LTA-B

ALL 10-10-66  
 ENGINEERING SCHEDULING - E.F.M. 4-29-65

GRUMMAN AIRCRAFT ENGRG CORP  
 BETHPAGE, L. I. N. Y.

SHEET 2  
 SK17-32-18

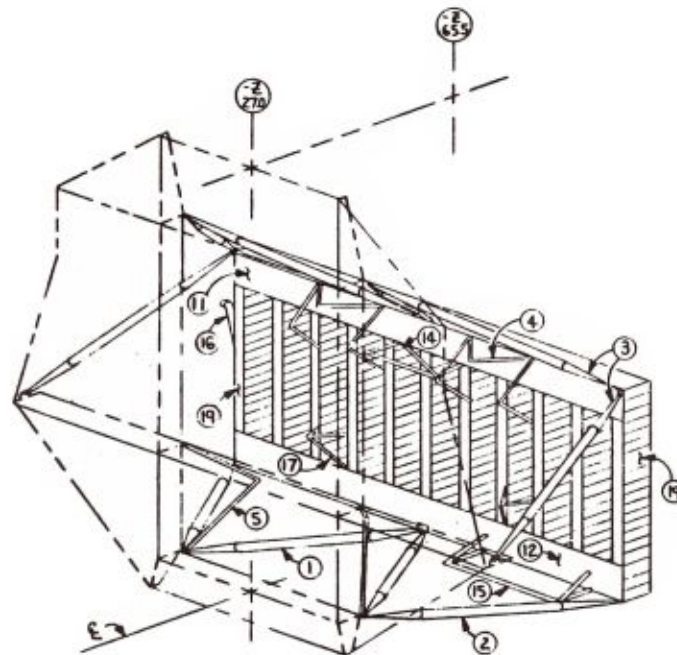


AFT EQUIP BAY STRUCT LDW 280-28401

ITEM	DRAWING	TITLE
1	LDW 280-28426	TUBE RACK SUPT, INBOARD
2	LDW 280-28427	" " " " OUTBOARD
3	LDW 280-28425	" " " " UPPER
4	LDW 280-28434	FITTING & HE SUPT INSTL
5	LDW 280-28405	RACK ASSEMBLY

⑤ RACK ASSEMBLY LDW 280-28405

ITEM	DRAWING	TITLE
11	LDW 280-11412	BEAM ASSY HORZ UPR 272
12	LDW 280-11413	" " " " LWR 233
14	LDW 280-28421	SUPT INSTL UPR CENT.
15	LDW 280-28422	" " " " LWR OUTB.
16	LDW 280-28430	" " " " 5" BAND ANT
17	LDW 280-28435	" " " " GOX TANK
19	LDW 280-28406	BEAM ASSY VERT 6
	LDW 280-28407	" " " " ±Y7
	LDW 280-28408	" " " " ±Y14
	LDW 280-28409	" " " " ±Y21
	LDW 280-28410	" " " " ±Y28
	LDW 280-28411	" " " " ±Y35



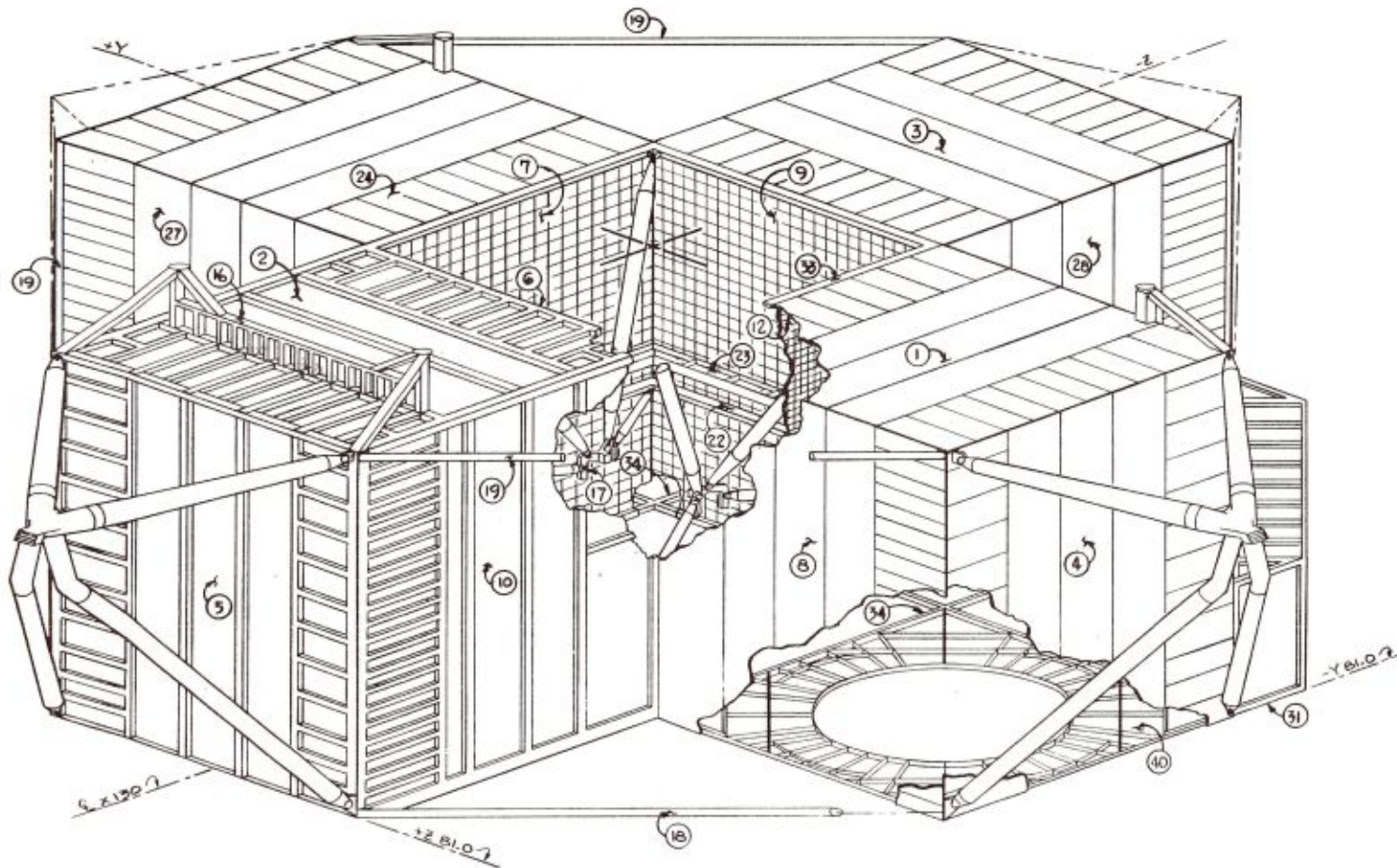
LM  
 ASCENT STAGE  
 AFT EQUIPMENT BAY  
 LM-

COMPLETE REVISION 7-20-67  
 ENGINEERING SCHEDULELINE PRR 7-11-67  
 204 10-10-67  
 R.M. 326 66

SK 17-33-18

## DESCENT STAGE STRUCTURE LDW 280-28510

ITEM	DRAWING	TITLE	ITEM	DRAWING	TITLE	ITEM	DRAWING	TITLE	ITEM	DRAWING	TITLE
1	LDW280-25521	DECK INSTL. LH. UPPER	16	LDW280-25540	BEAM ASSY. SUPT.	31	LDW280-28509	SUPT. INSTL. SEQ.	---	LDW280-25527	BULKHEAD INSTL., AFT.
2	LDW280-25522	DECK INSTL. FORWARD	17	LDW280-25545	TRUSS INSTL. ENG. SUPT.	---	---	---	---	LDW280-25533	PANEL INSTL., L.H. AFT.
3	LDW280-25523	DECK INSTL. AFT.	18	LDW280-25547	STRUT. INSTL. LOWER	---	---	---	---	LDW280-25534	PANEL INSTL., FWD. RH.
4	LDW280-25525	BULKHEAD INSTL. LH.	19	LDW280-25549	STRUT. INSTL. UPPER	33	LDW280M17100	CAPSTRIP ENG. COMP.	---	LDW280-25536	PANEL INSTL., AFT. RH.
5	LDW280-25526	BULKHEAD FORWARD				34	LDW280M17101	CAPSTRIP ENG. COMP.	---	LDW280-28524	BULKHEAD INSTL. RH. ENG.
6	LDW280-25529	PANEL INSTL. ENG. FWD.							---	LDW280-28531	PANEL INSTL. RH. AFT. BI.
7	LDW280-25535	PANEL INSTL. ENG. R.H.	22	LDW280-25550	BEAM INSTL. ENG. TRUSS.						
8	LDW280-25530	PANEL INSTL. L.H. FWD.	23	LDW280-25551	BEAM INSTL. ENG. AFT.						
9	LDW280-25532	PANEL INSTL. ENG. AFT.	24	LDW280-28520	DECK INSTL. RH. UPPER						
10	LDW280-25537	PANEL INSTL. FWD. LH.									
12	LDW280-25538	PANEL INSTL. ENG. LH.	27	LDW280-28528	PANEL INSTL. RH. FWD.						
			28	LDW280-28539	PANEL INSTL. AFT. LH. BM.						

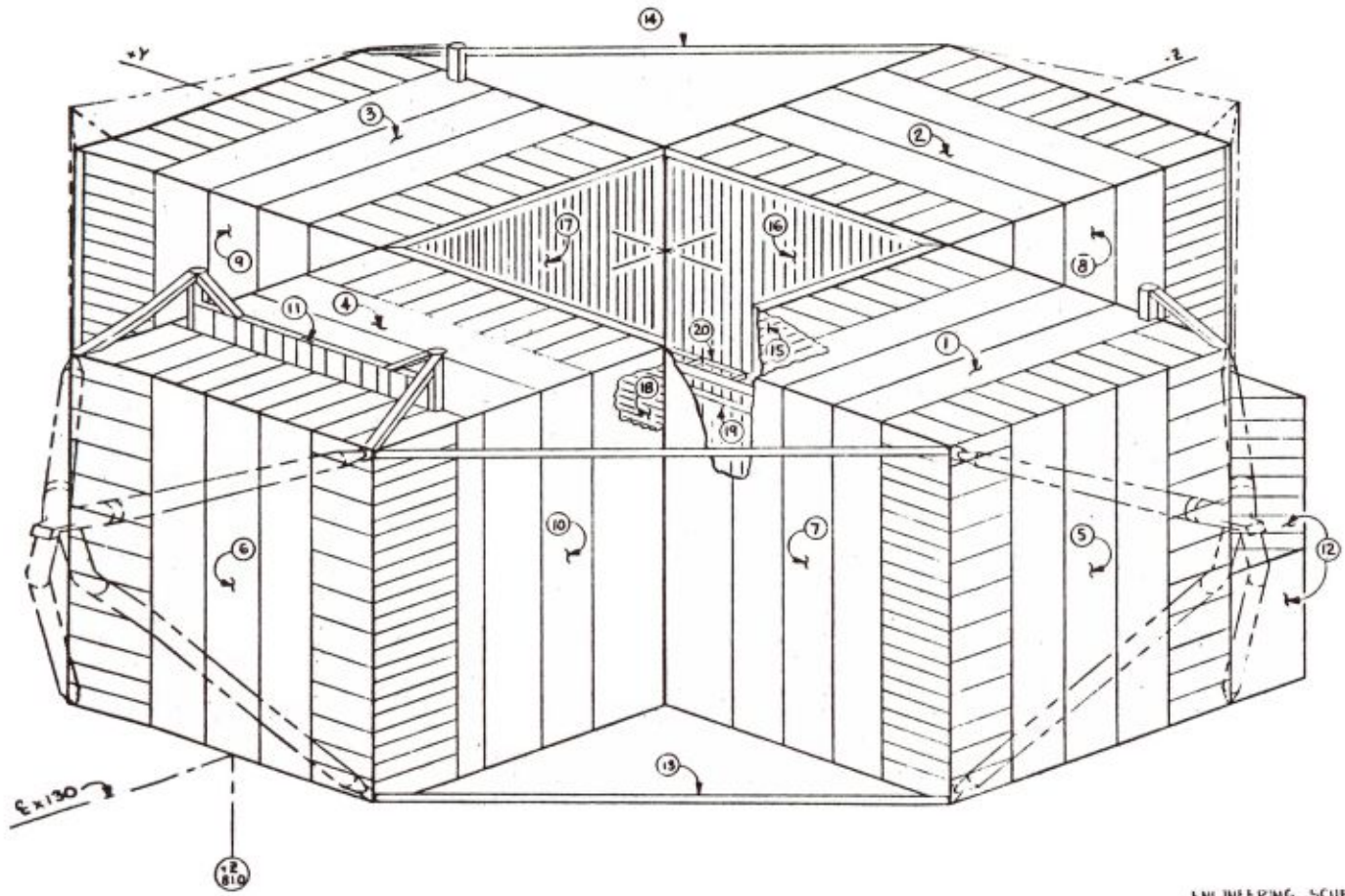


LM  
DESCENT STAGE  
STRUCTURE  
LTA-8  
LDW 280-28510



DESCENT STAGE STRUCTURE INSTL LDW 280-28510

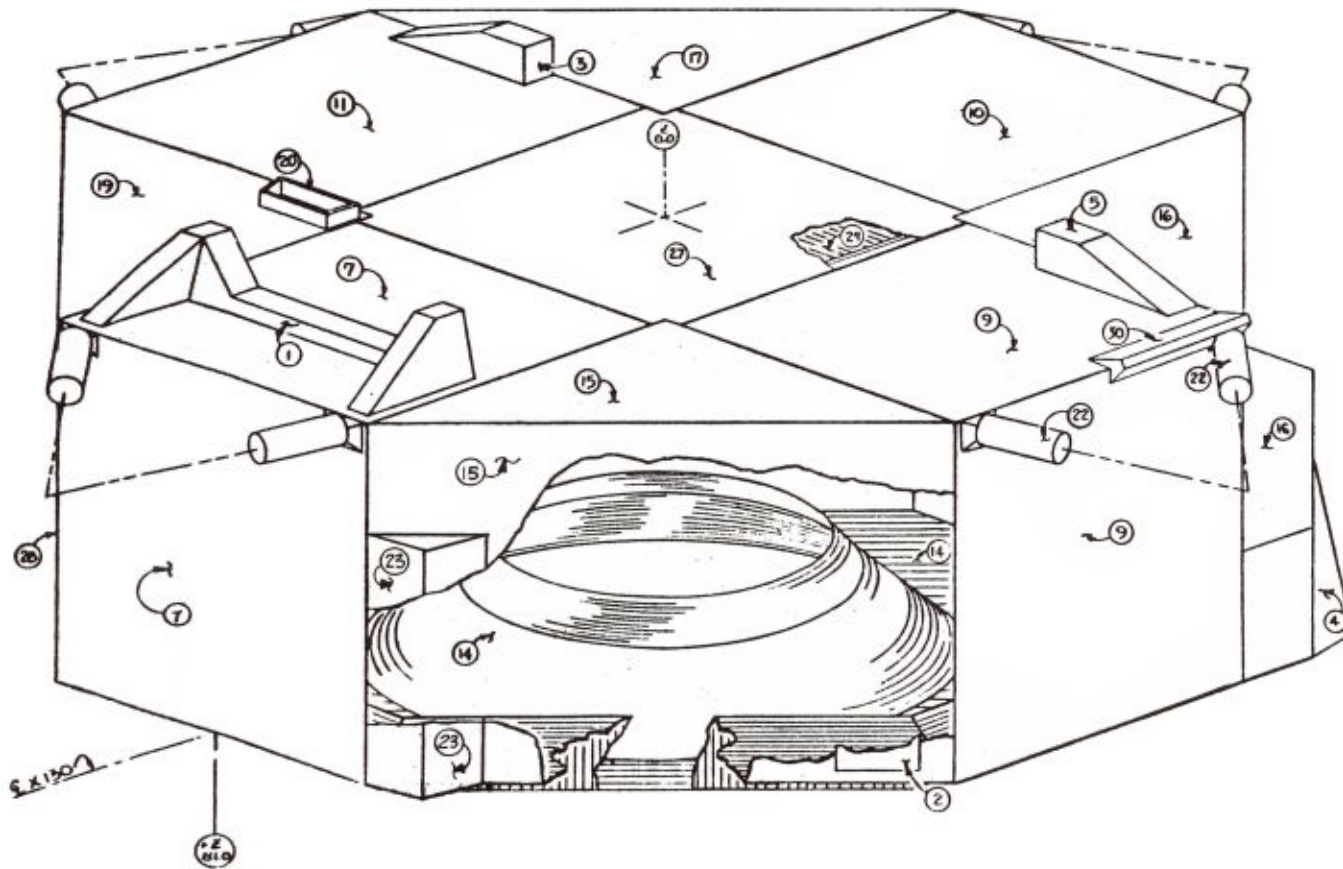
ITEM	DRAWING	TITLE	ITEM	DRAWING	TITLE	ITEM	DRAWING	TITLE
1	LDW 280-25521	DECK INSTL LH UPPER	8	LDW 280-25539	PANEL INSTL AFT LH	15	LDW 280-25538	PANEL INSTL ENG LH
2	LDW 280-25523	" " AFT		LDW 280-25536	" " R.H.	16	LDW 280-28532	" " " AFT
3	LDW 280-28520	" " R.H.	9	LDW 280-28528	" " R.H. FWD	17	LDW 280-25535	" " " P.H.
4	LDW 280-25522	" " FWD		LDW 280-28531	" " " AFT	18	LDW 280-25529	" " " FWD
5	LDW 280-25525	BULKHEAD INSTL LH	10	LDW 280-25537	" " FWD LH	19	LDW 280-25550	BEAM " " TRUSS
	LDW 280-25524	" " R.H.		LDW 280-28534	" " " R.H.	20	LDW 280-25551	" " " ACT
6	LDW 280-25526	" " FWD	11	LDW 280-25540	BEAM ASSY SUPT			
	LDW 280-25527	" " AFT	12	LDW 280-28549	SUPT INSTL SCI EQ BAY			
7	LDW 280-25530	PANEL INSTL LH FWD	13	LDW 280-25547	STRUT INSTL LWR			
	LDW 280-25533	" " " AFT	14	LDW 280-25544	" " " UPPER			



LM  
DESCENT STAGE  
STRUCTURE  
LTA-8

7-20-67  
PRK-1467  
ENGINEERING SCHEMATIC 1966-1967  
WAS SK17 50 SK-17-51-18

DESCENT STAGE			THERMAL SHIELDING			LDW 280-28653		
ITEM	DRAWING	TITLE	ITEM	DRAWING	TITLE	ITEM	DRAWING	TITLE
1	LDW280-28644	FORWARD INTERSTAGE	14	LDW280-28661	BASE HEAT SHIELD INSTL.	27	LDW280-28660	SHIELD INSTL. ENG. COMP.
2	LDW280-28645	ACCESS COV. INSTL. PLSS.	15	LDW280-28664	SHIELD INSTL. QUAD. I	28	LDW280-28661	SHIELD INSTL. QUAD. IV
3	LDW280-28646	BLANKET INSTL. AFF. RH. HE	16	LDW280-28665	SHIELD INSTL. QUAD. II	29	LDW280-28635	BLAST DEFLECTOR INSTL.
4	LDW280-28648	ACCESS COVER SEQ. DAY	17	LDW280-28666	SHIELD INSTL. QUAD. III	30	LDW280-28816	SHIELD INSTL. HE TEST PT.
5	LDW280-28649	L.H. AFF. INTERSTAGE						
7	LDW280-28656	FORWARD THERMAL	19	LDW280-28670	SHIELD INSTL. QUAD. IV			
			20	LDW280-28671	QUILLOPINE ACCESS COVER			
9	LDW280-28657	L.H. THERMAL						
10	LDW280-28658	AFF. THERMAL	22	LDW280-28672	SHIELD INSTL. OUTRIGGER			
11	LDW280-28659	R.H. THERMAL	23	LDW280-28724	COVER INSTL. S-BAND			



LM  
DESCENT STAGE  
THERMAL SHIELDING  
LTA-8

7-20-67  
P.R.R. 7-17-67  
ENGINEERING SCHEDULING 487-1567 SK-17-52-18