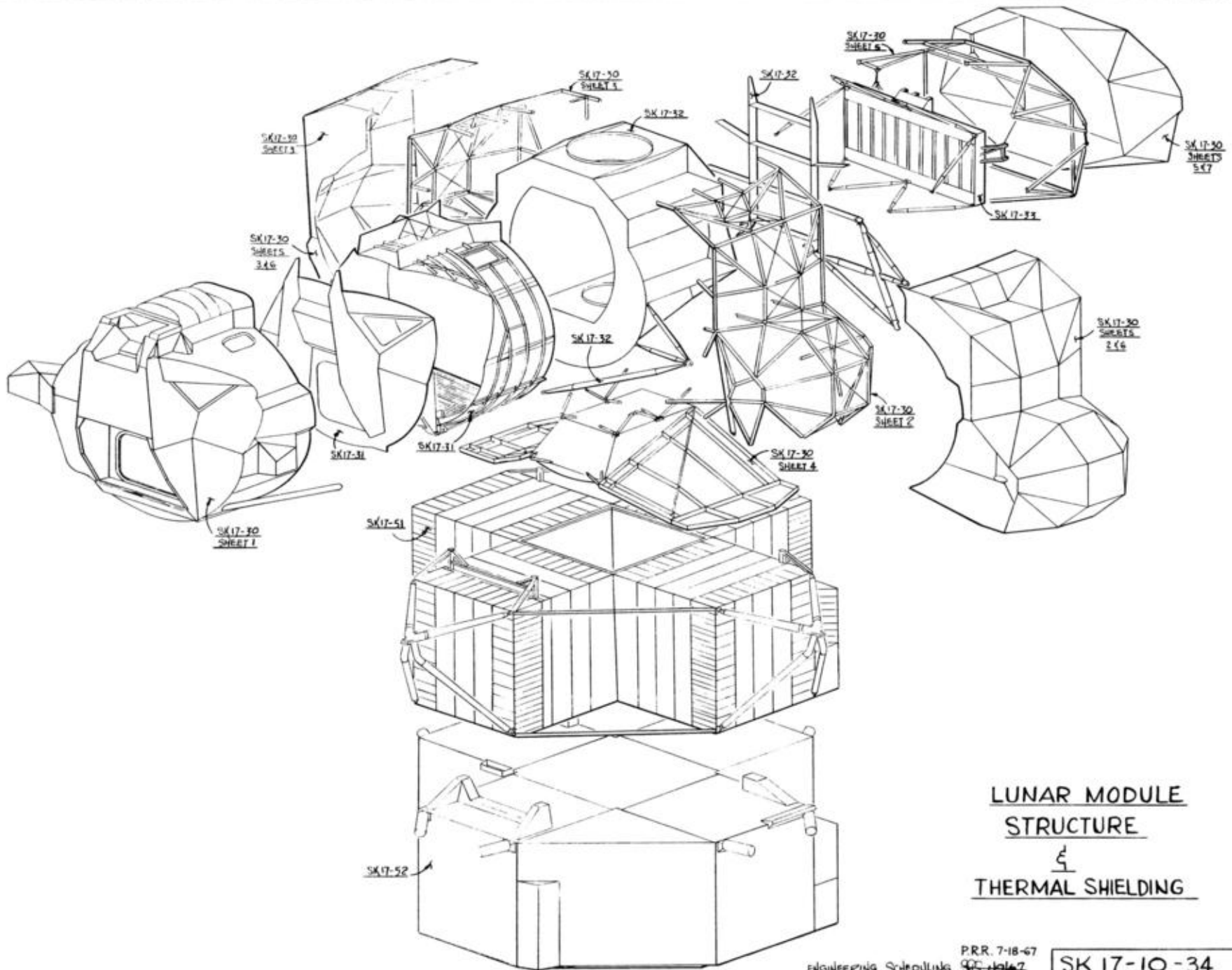


LUNAR MODULE
STRUCTURE
 &
THERMAL SHIELDING

ENGINEERING SCHEDULING 90G 119167

SK 17-10



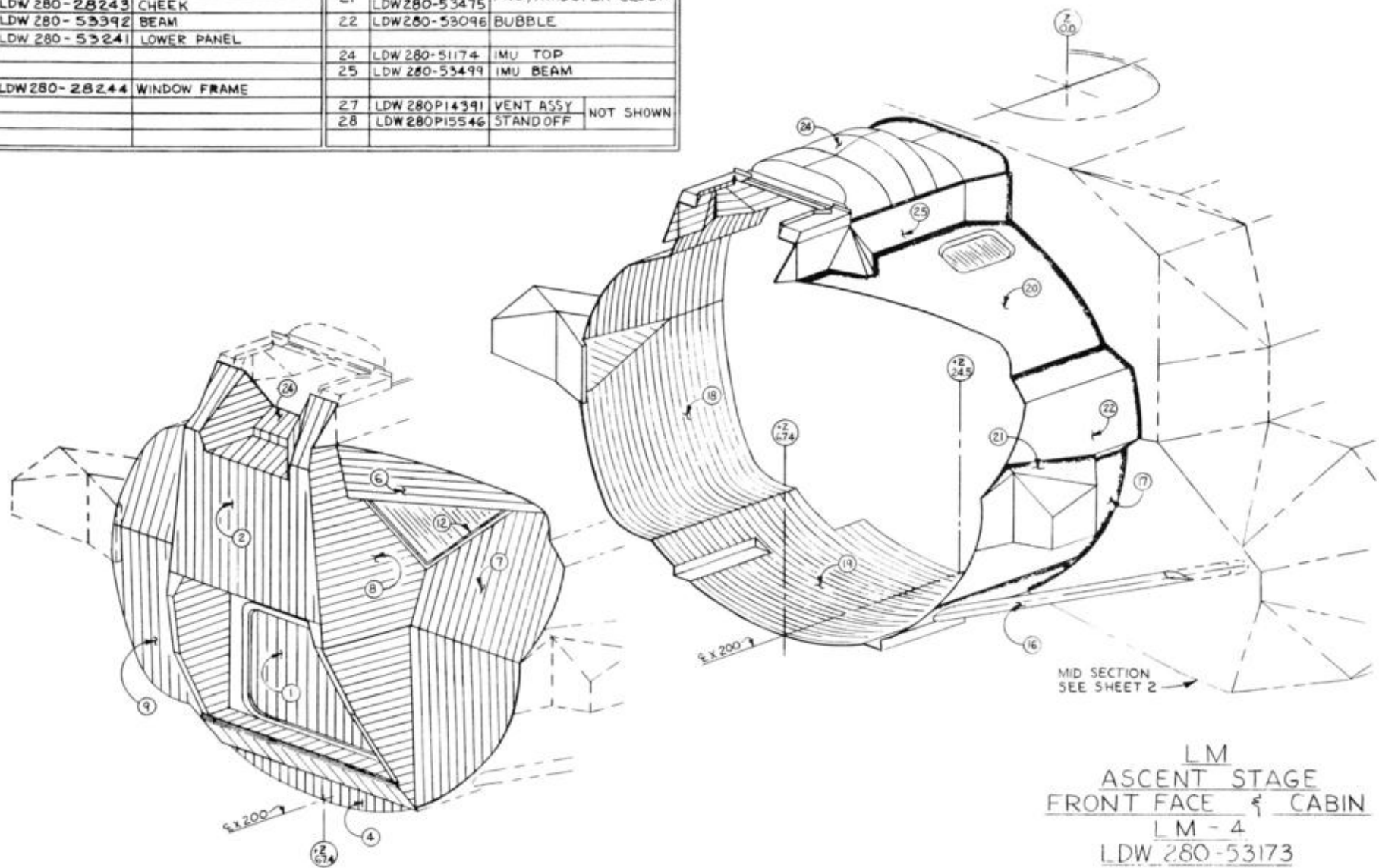
LUNAR MODULE
STRUCTURE
 &
THERMAL SHIELDING

PRR. 7-18-67
 95-19167

SK 17-10-34

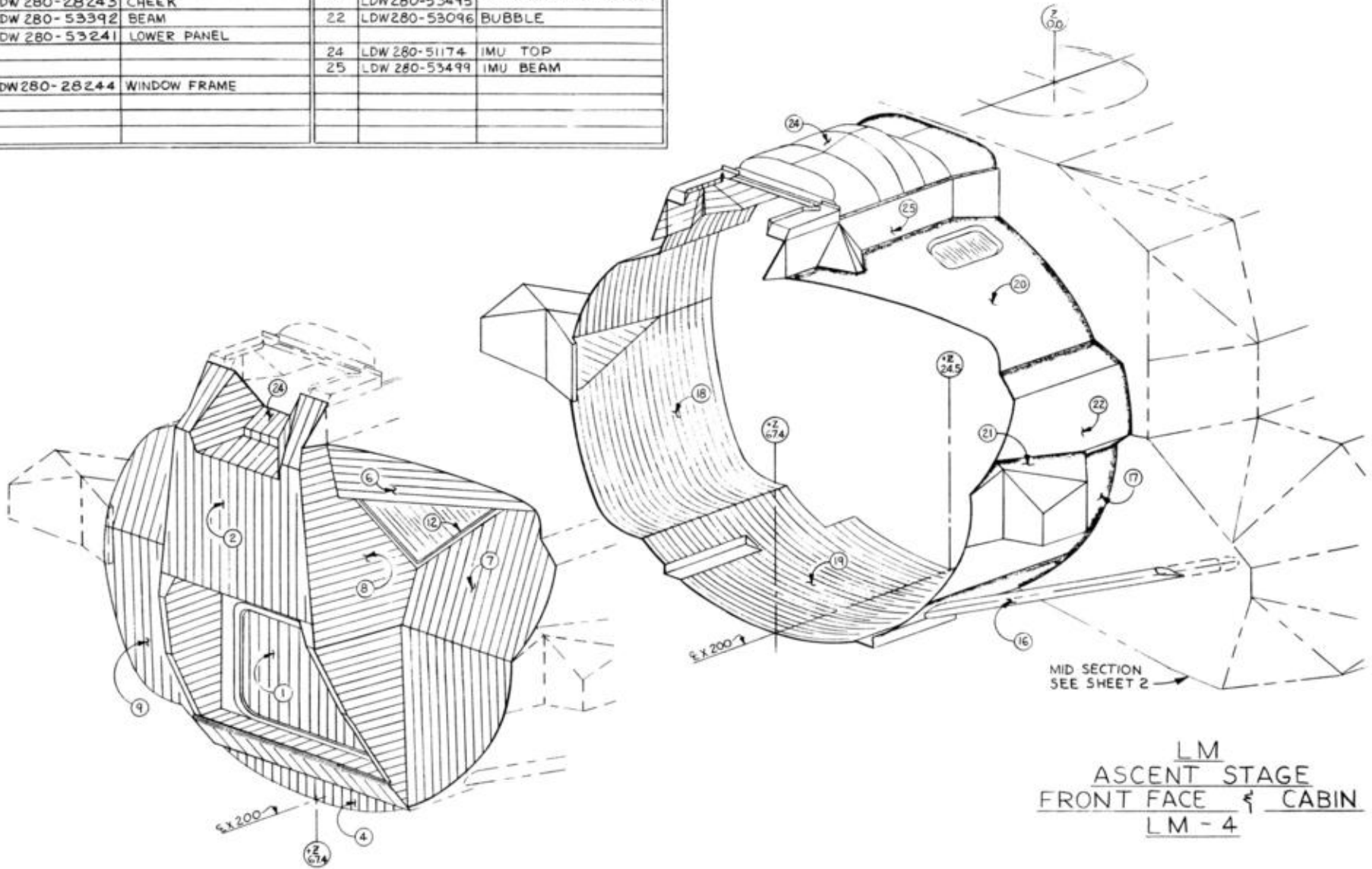
ASCENT STAGE THERMAL SHIELD INSTL

| FRONT FACE SHIELDING | | | CABIN SHIELDING | | |
|----------------------|---------------|----------------|-----------------|---------------|----------------------|
| 1 | LDW 280-28175 | FWD HATCH | 16 | LDW 280-53075 | DRAG STRUT |
| 2 | LDW 280-54176 | CENTER PANEL | 17 | LDW 280-53185 | L.H. LOWER SIDE |
| | | | 18 | LDW 280-53186 | R.H. LOWER SIDE |
| 4 | LDW 280-53279 | LOWER BULKHEAD | 19 | LDW 280-53178 | BOTTOM |
| | | | 20 | LDW 280-53347 | UPPER |
| 6 | LDW 280-28242 | BROW | 21 | LDW 280-53179 | FWD, THRUSTER CLUST. |
| 7 | LDW 280-28243 | CHEEK | 22 | LDW 280-53096 | BUBBLE |
| 8 | LDW 280-53392 | BEAM | | | |
| 9 | LDW 280-53241 | LOWER PANEL | | | |
| | | | 24 | LDW 280-51174 | IMU TOP |
| | | | 25 | LDW 280-53499 | IMU BEAM |
| 12 | LDW 280-28244 | WINDOW FRAME | 27 | LDW 280P14391 | VENT ASSY |
| | | | 28 | LDW 280P15546 | STAND OFF |
| | | | | | NOT SHOWN |



LM
 ASCENT STAGE
 FRONT FACE & CABIN
 LM - 4
 LDW 280-53173

| THERMAL SHIELDING | | | INSTL LDW 280-53173 | | |
|----------------------|---------------|----------------|---------------------|---------------|---------------------|
| FRONT FACE SHIELDING | | | CABIN SHIELDING | | |
| 1 | LDW 280-28175 | FWD HATCH | 16 | LDW 280-53875 | DRAG STRUT |
| 2 | LDW 280-54176 | CENTER PANEL | 17 | LDW 280-53185 | LH. LOWER SIDE |
| | | | 18 | LDW 280-53186 | R.H. LOWER SIDE |
| 4 | LDW 280-53279 | LOWER BULKHEAD | 19 | LDW 280-53178 | BOTTOM |
| | | | 20 | LDW 280-53347 | UPPER |
| 6 | LDW 280-28242 | BROW | 21 | LDW 280-53179 | FWD THRUSTER CLUST. |
| 7 | LDW 280-28243 | CHEEK | | LDW 280-53495 | |
| 8 | LDW 280-53392 | BEAM | 22 | LDW 280-53096 | BUBBLE |
| 9 | LDW 280-53241 | LOWER PANEL | | | |
| | | | 24 | LDW 280-51174 | IMU TOP |
| 12 | LDW 280-28244 | WINDOW FRAME | 25 | LDW 280-53499 | IMU BEAM |
| | | | | | |
| | | | | | |



LM
 ASCENT STAGE
 FRONT FACE & CABIN
 LM - 4

THERMAL SHIELDING LDW280-54150

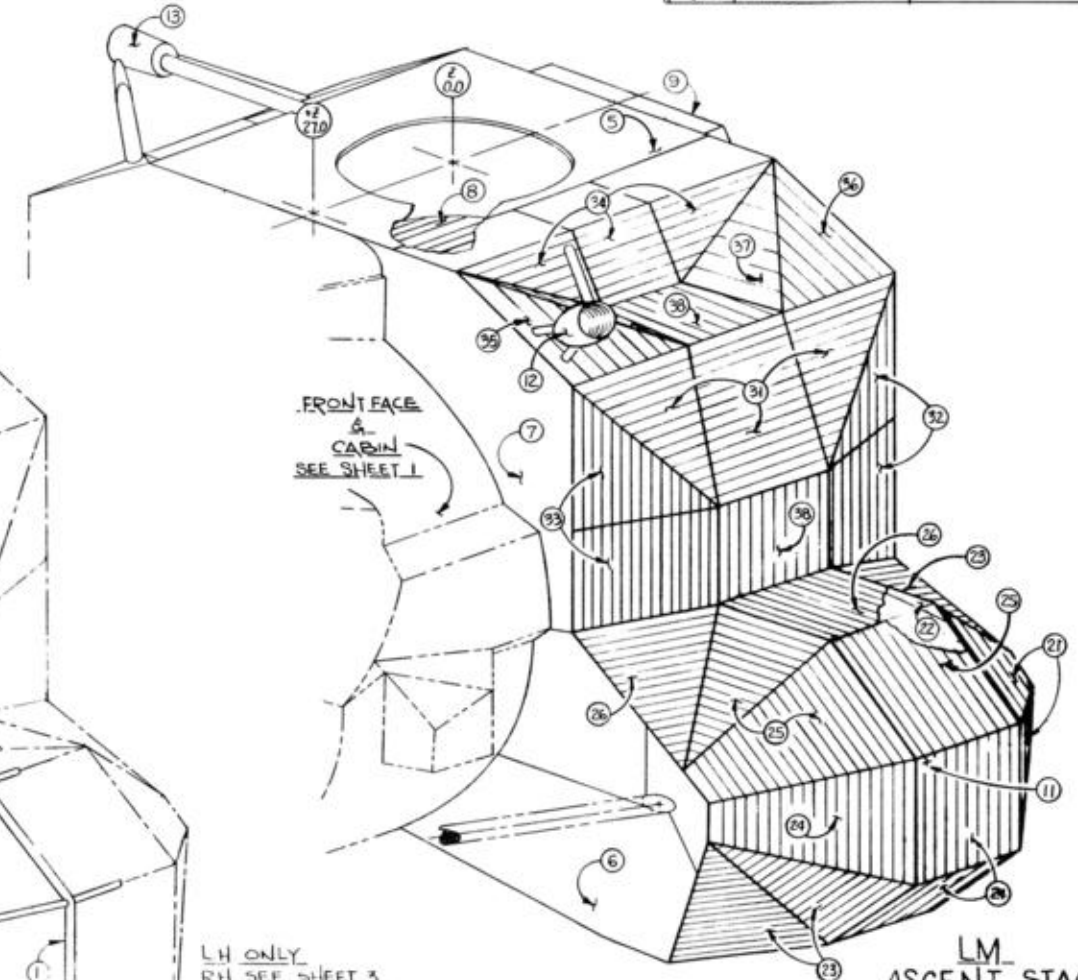
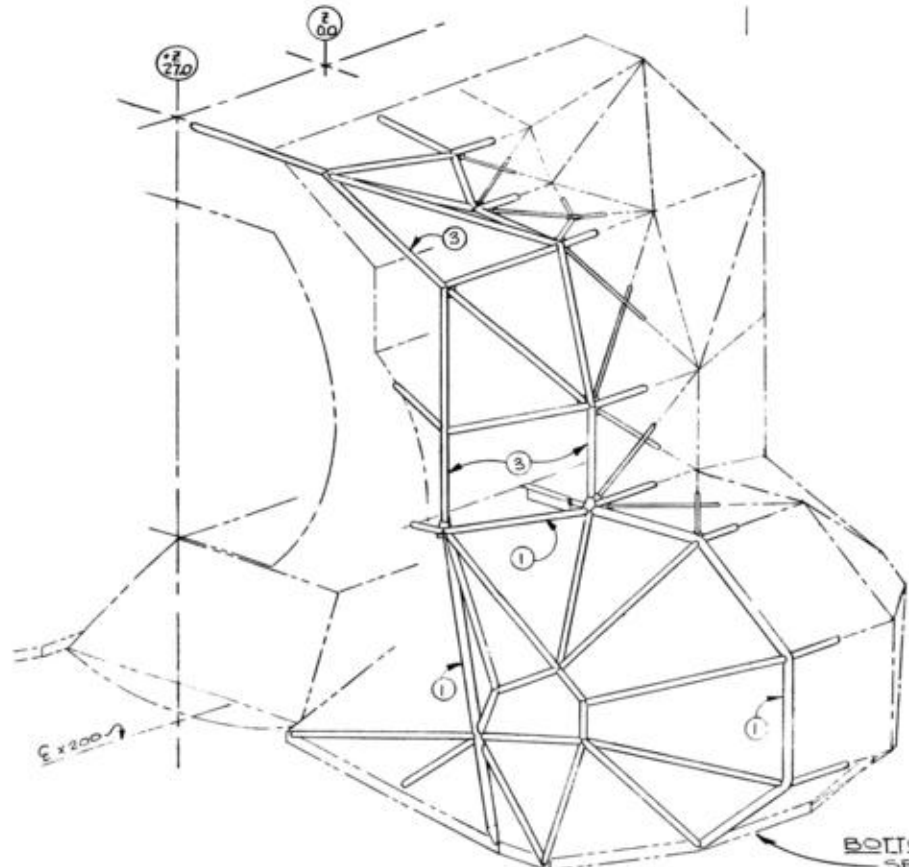
| ITEM | DRAWING | TITLE |
|------|--------------|-------------------------|
| 1 | LDW280-53155 | CAGE INSTL LH TANK |
| | LDW280-53226 | CAGE ASSY LH TANK |
| 2 | LDW280-53160 | SHLD INSTL LH TANK |
| 3 | LDW280-53381 | CAGE INSTL LH & RH SIDE |
| | LDW280-53382 | CAGE ASSY LH & RH SIDE |
| 4 | LDW280-53163 | SHLD INSTL LH & RH SIDE |
| 5 | LDW280-53861 | SHIELD, TOP x 312 1/2 |
| 6 | LDW280-53851 | SHLD, FWD & AFT, TANKS |
| 7 | LDW280-53852 | SHLD, FWD & AFT, BLKHD |
| 8 | LDW280-53282 | SHLD INSTL, UPR HATCH |
| 9 | LDW280-54154 | SHLD INSTL, UPR BLKHD |
| 11 | LDW280-28398 | BRKT, DOCKING LIGHT |
| 12 | LDW280-28895 | FWD, VHF ANTENNA |
| 13 | LDW280-28885 | STEERABLE ANTENNA |

(2) SHLD INSTL LH TANK LDW280-53160

| ITEM | DRAWING | TITLE |
|------|--------------|--------|
| 21 | LDW280-11635 | SHIELD |
| 22 | LDW280-11636 | " |
| 23 | LDW280-11637 | " |
| 24 | LDW280-11638 | " |
| 25 | LDW280-11639 | " |
| 26 | LDW280-11640 | " |

(4) SHLD INSTL LH & RH SIDE LDW280-53163

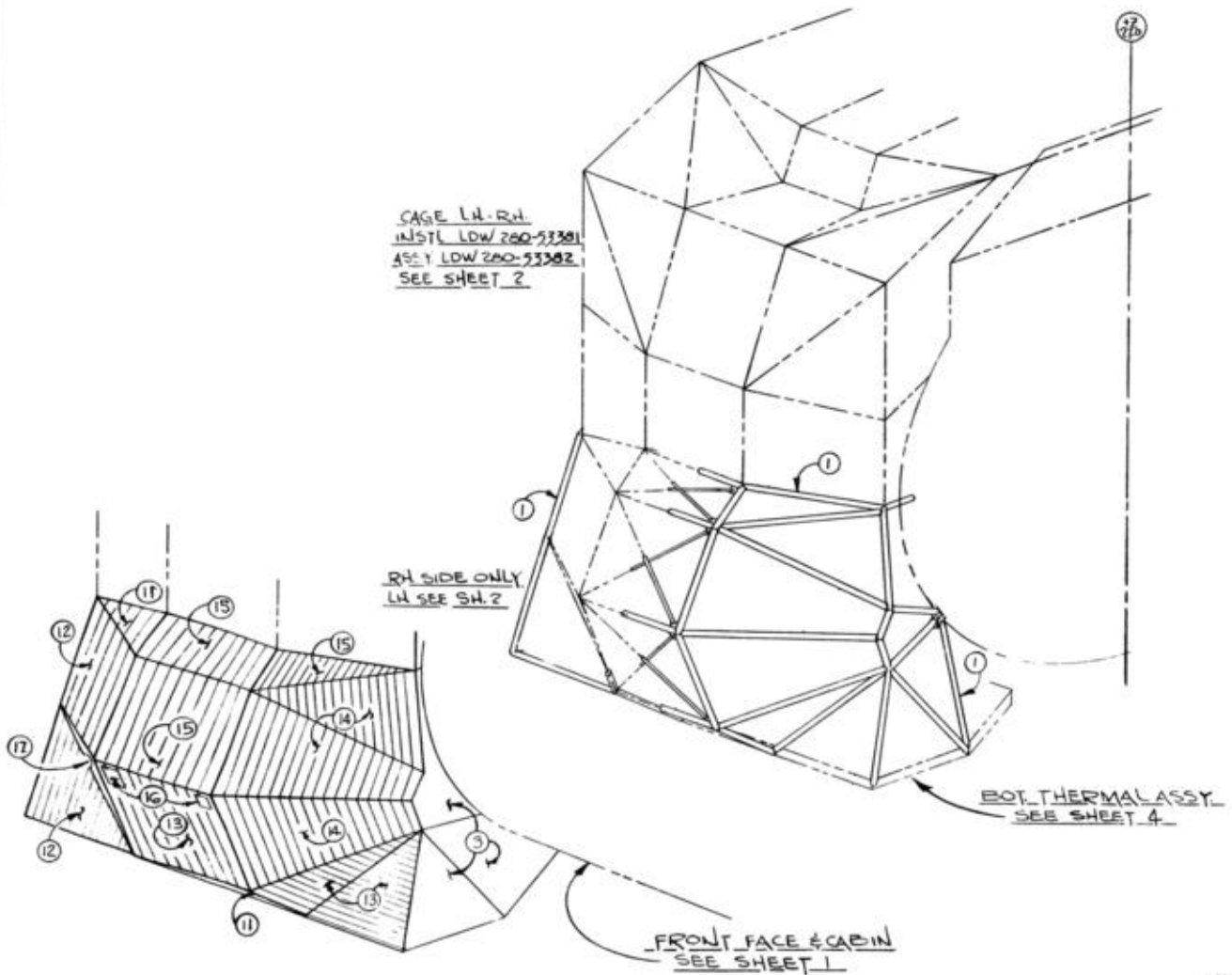
| ITEM | DRAWING | TITLE |
|------|--------------|-------------|
| 31 | LDW280-11642 | SHIELD |
| 32 | LDW280-11647 | " |
| 33 | LDW280-11648 | " |
| 34 | LDW280-11649 | " L.H. ONLY |
| | LDW280-11650 | " R.H. ONLY |
| 35 | LDW280-11651 | " |
| 36 | LDW280-11652 | " |
| 37 | LDW280-11653 | " |
| 38 | LDW280-11654 | " |



7-19-67
 COMPLETE REVISION RRR-4-23-67
 ENGINEERING SCHEDULING 4-10-66
 SHEET 2
 SK 17-30-34

| THERMAL SHIELDING LDW 280-54150 | | |
|---------------------------------|---------------|------------------------|
| ITEM | DRAWING | TITLE |
| 1 | LDW 280-53156 | CAGE INSTL, R.H. TANK |
| | LDW 280-53231 | CAGE ASSY, R.H. TANK |
| 2 | LDW 280-53161 | SHLD INSTL, R.H. TANK |
| 3 | LDW 280-53851 | SHLD INSTL, FWD/AFT TK |

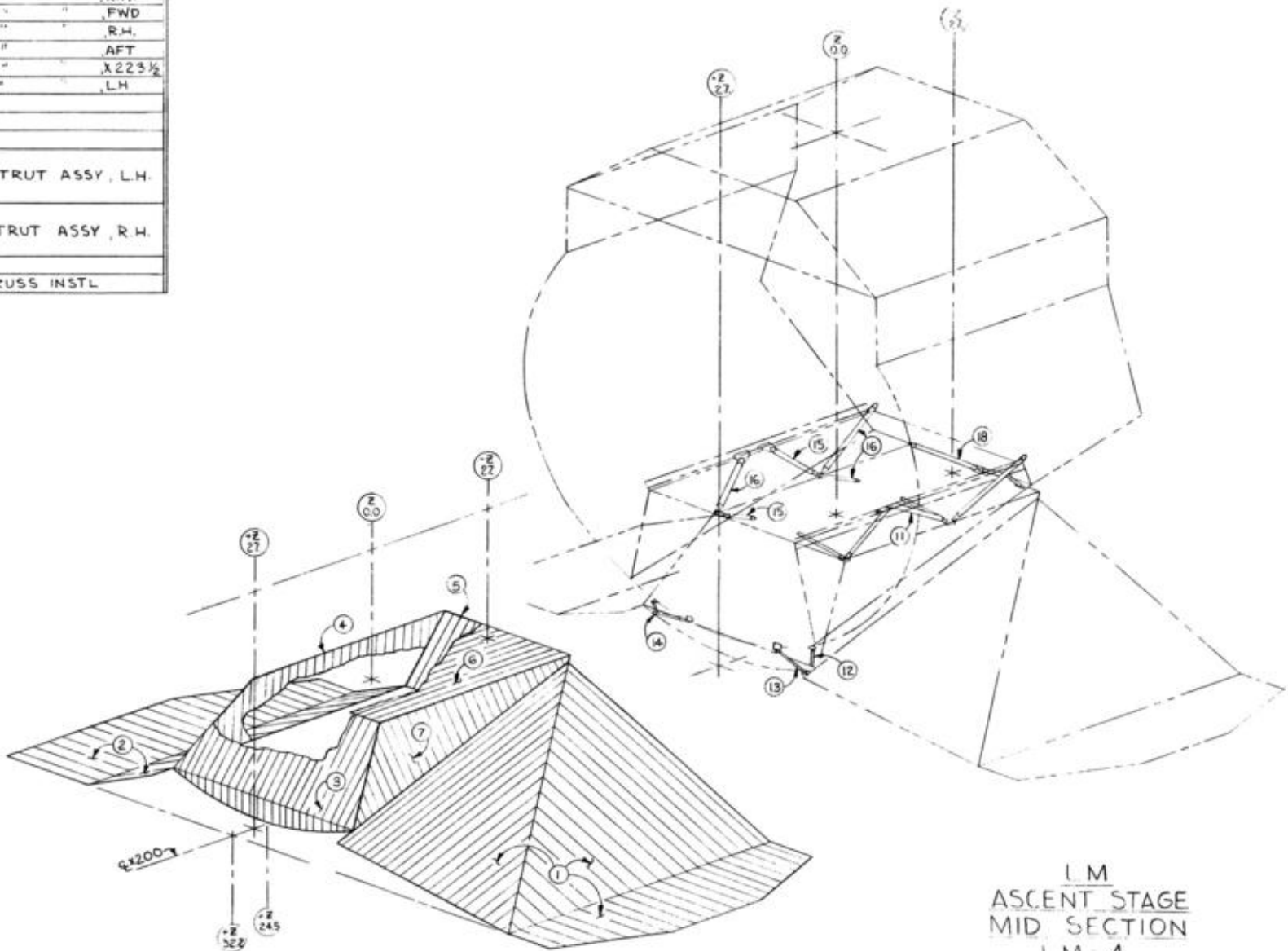
| ② SHIELDING INSTL, R.H. TK DW 280-53161 | | |
|---|---------------|--------|
| ITEM | DRAWING | TITLE |
| 11 | LDW 280-11641 | SHIELD |
| 2 | LDW 280-11642 | " |
| 13 | LDW 280-11643 | " |
| 14 | LDW 280-11644 | " |
| 15 | LDW 280-11645 | " |
| 16 | LDW 280P11500 | FARING |
| 17 | LDW 280P11517 | " |



LM-
ASCENT STAGE
MID SECTION
LM-4

7-19-67 SHEET 3
COMPLETE REVISION PER: 4-14-67
ENGINEERING SCHEDULE: 26, 10-11-67
SK 17-30-34

| THERMAL SHIELDING LDW 280-53153 | | |
|---------------------------------|---------------|------------------|
| ITEM | DRAWING | TITLE |
| 1 | LDW 280-53159 | PANEL INSTL L.H. |
| 2 | LDW 280-53162 | " " R.H. |
| 3 | LDW 280-53203 | " " FWD |
| 4 | LDW 280-53222 | " " R.H. |
| 5 | LDW 280-53223 | " " AFT |
| 6 | LDW 280-53224 | " " X223 1/2 |
| 7 | LDW 280-53225 | " " LH |
| | | |
| | | |
| 11 | LDW 280-28866 | |
| 12 | LDW 280-28877 | STRUT ASSY, L.H. |
| 13 | LDW 280-28879 | |
| 14 | LDW 280-28481 | |
| 15 | LDW 280-28867 | STRUT ASSY, R.H. |
| 16 | LDW 280-53867 | |
| | | |
| 18 | LDW 280-53165 | TRUSS INSTL |



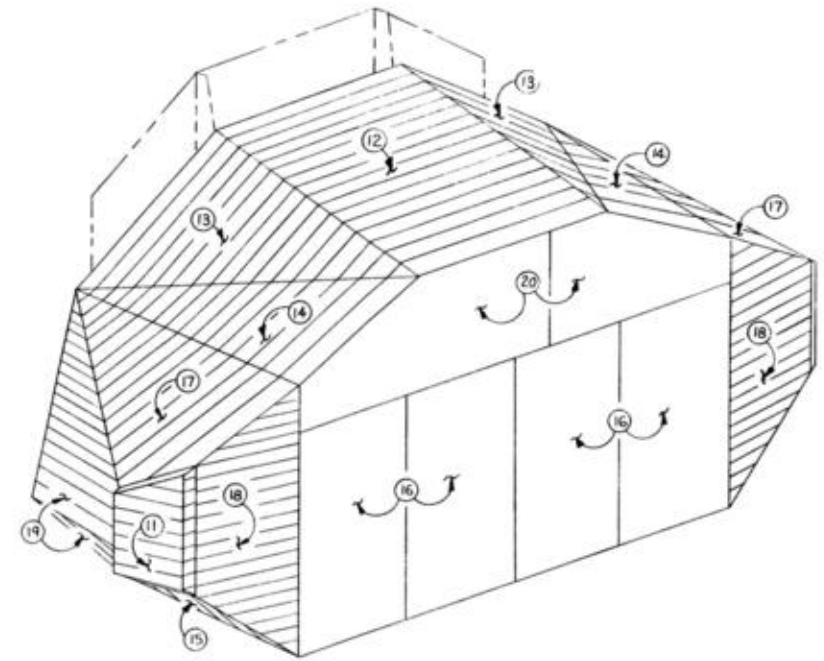
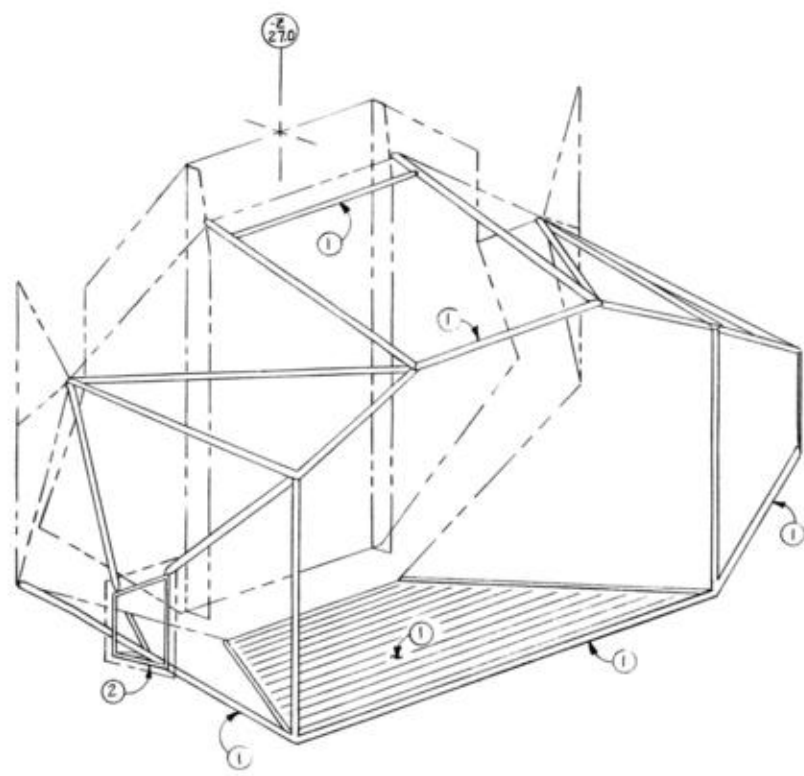
ENGINEERING SCHEDULING PRK 4-7767

SHEET 4

SK-17-30-34

| THERMAL SHIELDING LDW 280-54450 | | |
|---------------------------------|---------------|---------------------|
| 1 | LDW 280-53451 | CAGE ASSY |
| | LDW 280-51454 | PANEL ASSY |
| 2 | LDW 280-53452 | SUPT INSTL, RCS AFT |
| 3 | LDW 280-54453 | SHIELD INSTL |

| ③ SHIELDING INSTL LDW 280-54453 | | |
|---------------------------------|---------------|---------------------|
| 11 | LDW 280-54871 | SHLD INSTL, RCS AFT |
| 12 | LDW 280-14463 | SHLD ASSY, UPR MID |
| 13 | LDW 280-14464 | " " " INBD |
| 14 | LDW 280-14465 | " " " OUTBD |
| 15 | LDW 280-14469 | " " LWR SIDE |
| 16 | LDW 280-14470 | " " ACCESS |
| 17 | LDW 280-14476 | " " UPR SIDE |
| 18 | LDW 280-14477 | " " AFT SIDE |
| 19 | LDW 280-14478 | " " SIDE ACC |
| 20 | LDW 280-53461 | UPR AFT ACCESS PNL |



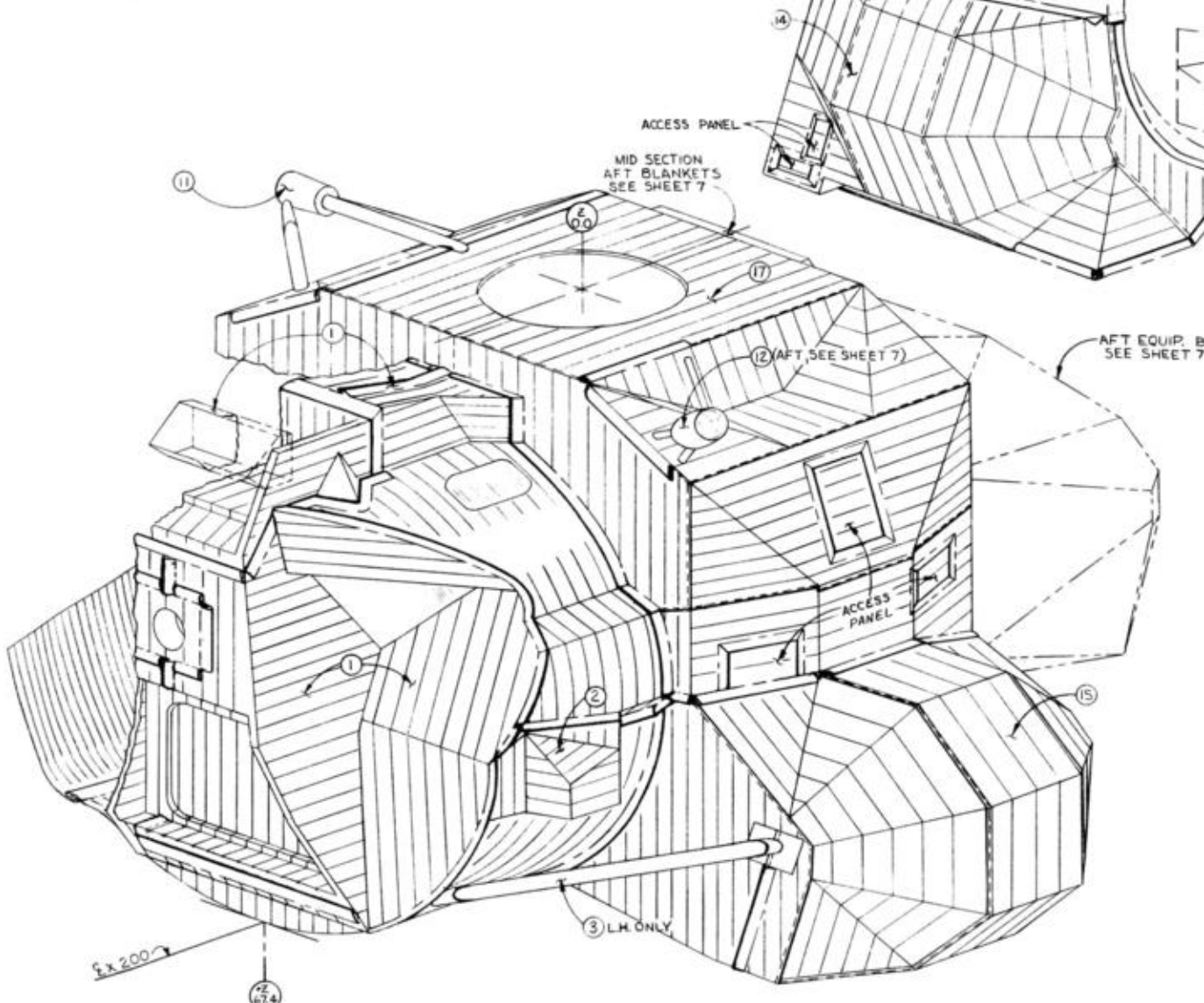
LM
ASCENT STAGE
AFT EQUIPMENT BAY
LM-4

ENGINEERING SCHEDULING PRK 7-19-67
5-2-69

SHEET 5
SK 17-30-34

ASCENT STAGE, BLANKET INSTL

| FRONT FACE & CABIN LDW280-53173 | | | MID SECTION LDW280-54150 | | |
|---------------------------------|--------------|--------------------|--------------------------|--------------|-----------------------|
| 1 | LDW280-53173 | FRONT FACE & CABIN | 11 | LDW280-28885 | STEERABLE ANTENNA |
| 2 | LDW280-52180 | RCS, FWD RH & L.H. | 12 | LDW280-28895 | FWD, VHF ANTENNA |
| 3 | LDW280-53875 | DRAG STRUT | 14 | LDW280-53853 | OXIDE TANK, R.H. SIDE |
| | | | 15 | LDW280-53854 | FUEL TANK, L.H. SIDE |
| | | | 17 | LDW280-53856 | UPPER RH. & L.H. SIDE |



LM
 ASCENT STAGE
 FRONT FACE
 CABIN & MID SECTION
 BLANKET INSTL
 LM-4

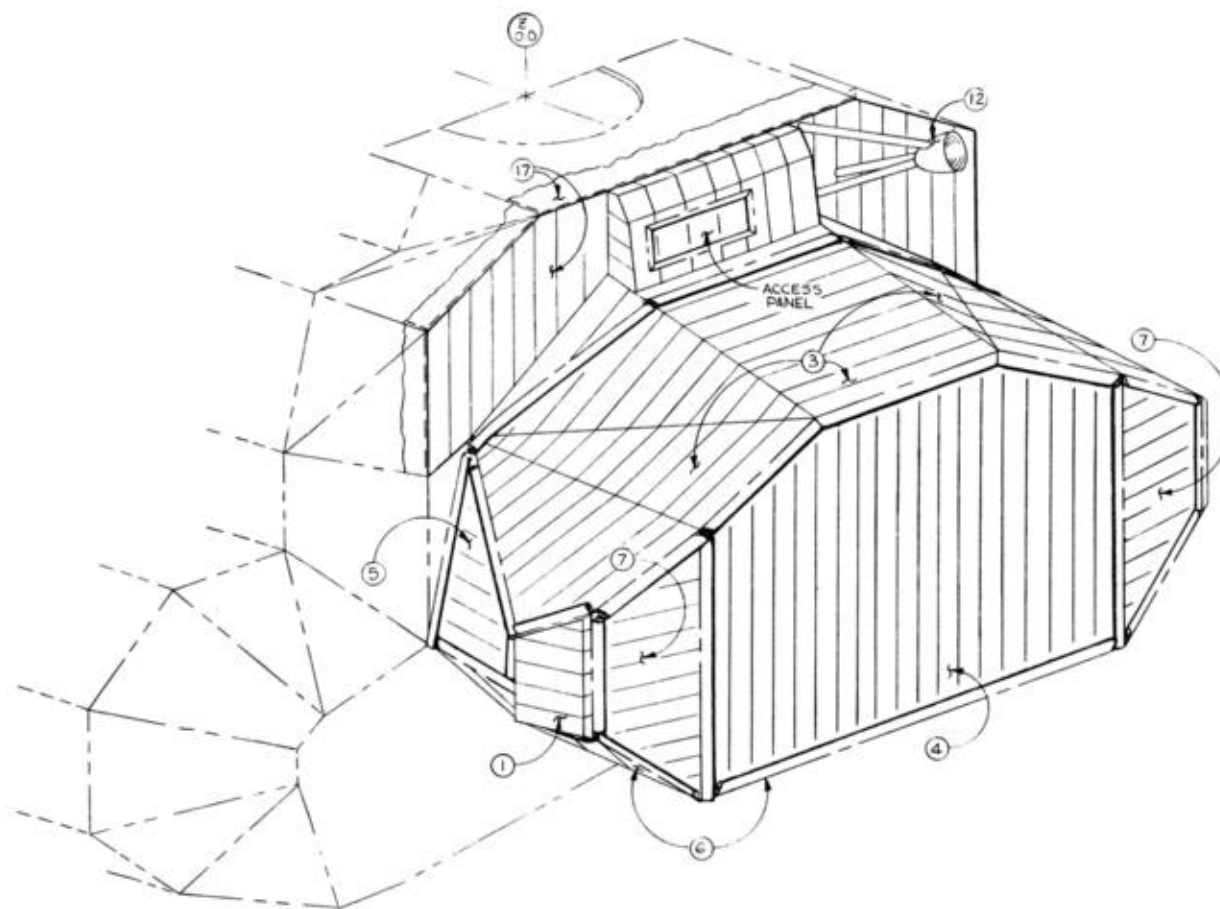
SHEET 6

ENGINEERING SCHEDULING PRK 7 19 67 4 H CP

SK17-30-34

| ASCENT STAGE, BLANKET INSTALLATIONS | | |
|-------------------------------------|--------------|---------------------------|
| AFT EQUIPMENT BAY LDW280-54453 | | |
| 1 | LDW280-28897 | RCS, AFT R.H. & L.H. |
| 3 | LDW280-14435 | BLANKET, TOP |
| 4 | LDW280-14436 | BLANKET, BACK |
| 5 | LDW280-14437 | BLANKET, RH & LH SIDE |
| 6 | LDW280-14438 | BLANKET, BOTTOM |
| 7 | LDW280-14439 | BLANKET, R.H. & L.H. BACK |

| MID SECTION SEE SHEET 6 | | |
|-------------------------|--------------|------------------------|
| 12 | LDW280-28895 | AFT, VHF ANTENNA |
| 17 | LDW280-53856 | UPPER R.H. & L.H. SIDE |



LM
 ASCENT STAGE
 AFT EQUIPMENT BAY
 BLANKET INSTL
 LM-4

SHEET 7

ENGINEERING THE DESIGN OF

7-11-77

SK17-30-34

CABIN PRIME STRUCTURE LDW280-54010

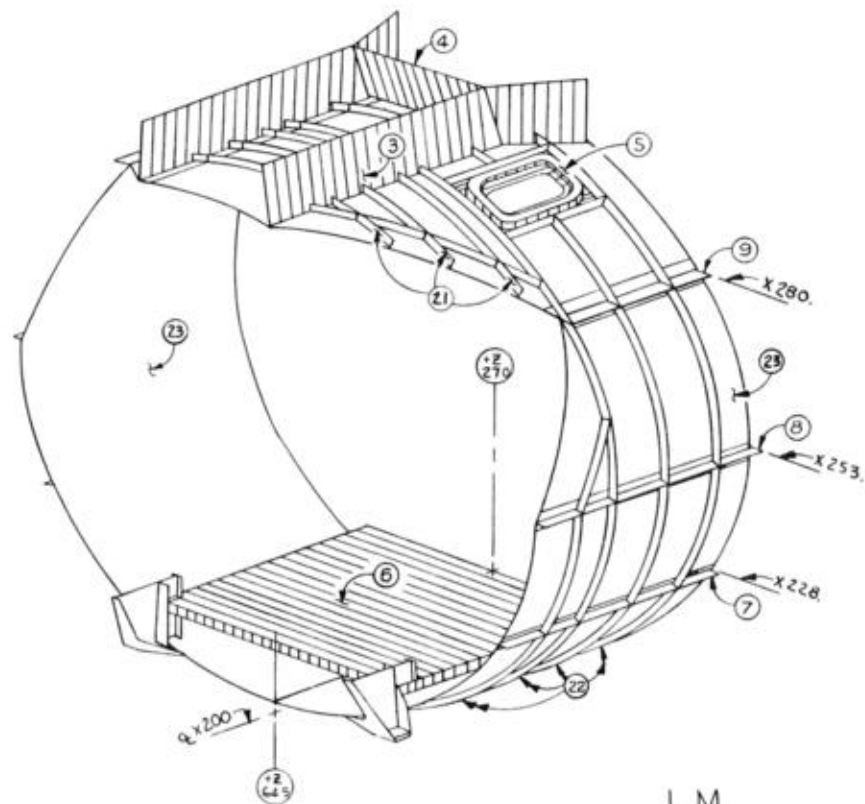
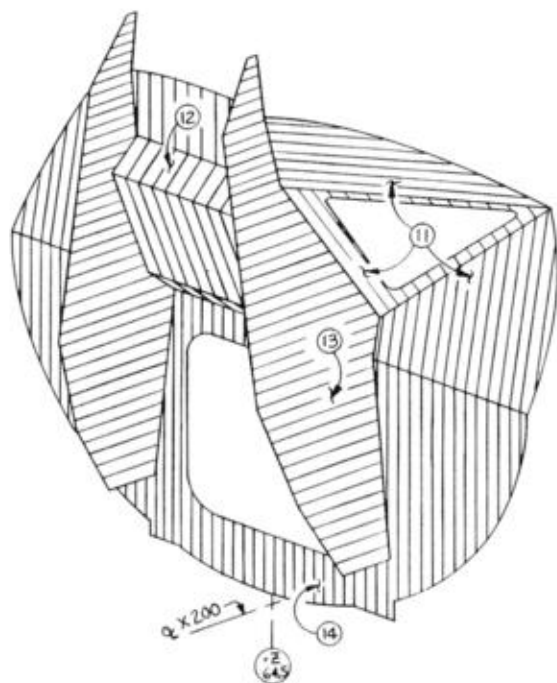
| ITEM | DRAWING | TITLE |
|------|--------------|-------------------------|
| 1 | LDW280-54075 | FACE ASSY |
| | LDW280M54137 | FRONT FACE MACHINING |
| 2 | LDW280-54051 | CABIN SKIN INSTL |
| 3 | LDW280-23031 | IMU BEAM INSTL |
| 4 | LDW280-23114 | FRAME INSTL CANTED |
| 5 | LDW280-53023 | CABIN WINDOW INSTL UPR |
| 6 | LDW280H23060 | FLOOR ASSY # INSTL |
| 7 | LDW280-23025 | LONGERON INST X228RH |
| | LDW280-23049 | LONGERON INST X228LH |
| 8 | LDW280-23047 | LONGERON INST X252-X253 |
| 9 | LDW280-23048 | LONGERON INST X280 |

① FRONT FACE MACHINING LDW280M54137
FRONT FACE ASSY LDW280-54011

| ITEM | DRAWING | TITLE |
|------|--------------|---------------------------|
| 11 | LDW280-23015 | PNL ASSY CHEEK, BROW/WIND |
| 12 | LDW280-23016 | PNL ASSY UPR CENTER |
| 13 | LDW280M10440 | WEB BEAM |
| 14 | LDW280M10392 | BULKHEAD UPR |

② CABIN SKIN INSTL LDW280-54051

| ITEM | DRAWING | TITLE |
|------|--------------|-----------------|
| 21 | LDW280-23021 | FRAME INSTL UPR |
| 22 | LDW280-23074 | FRAME INSTL |
| 23 | LDW280-23013 | SKIN ASSY |



LM
ASCENT STAGE
FRONT FACE & CABIN
LM-4

ENGINEERING SCHEDULING PRK 5-8-67

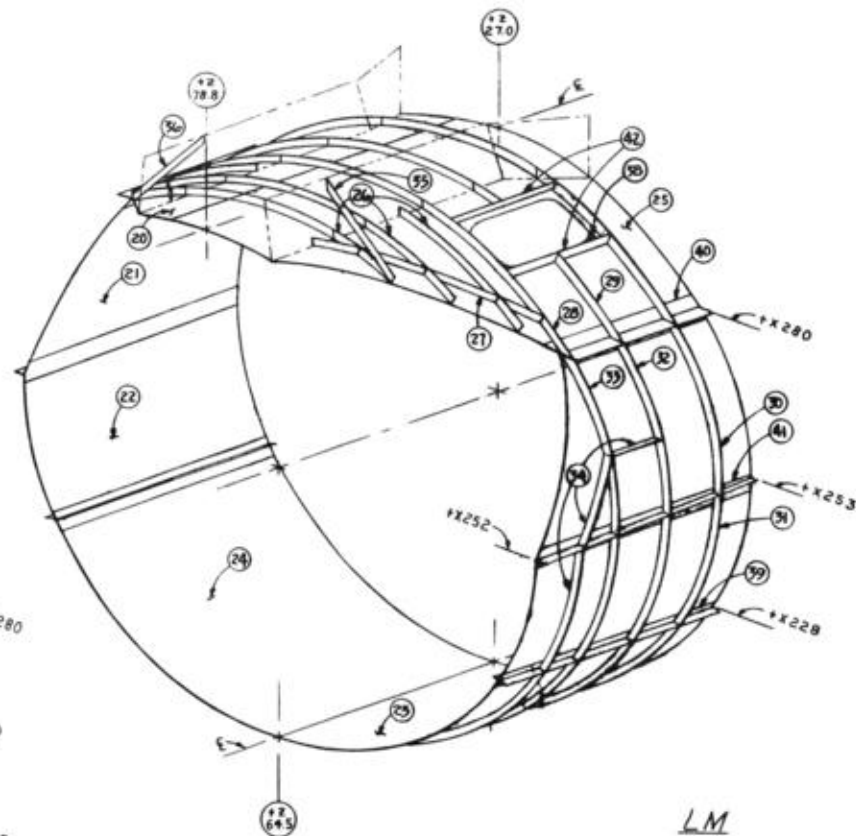
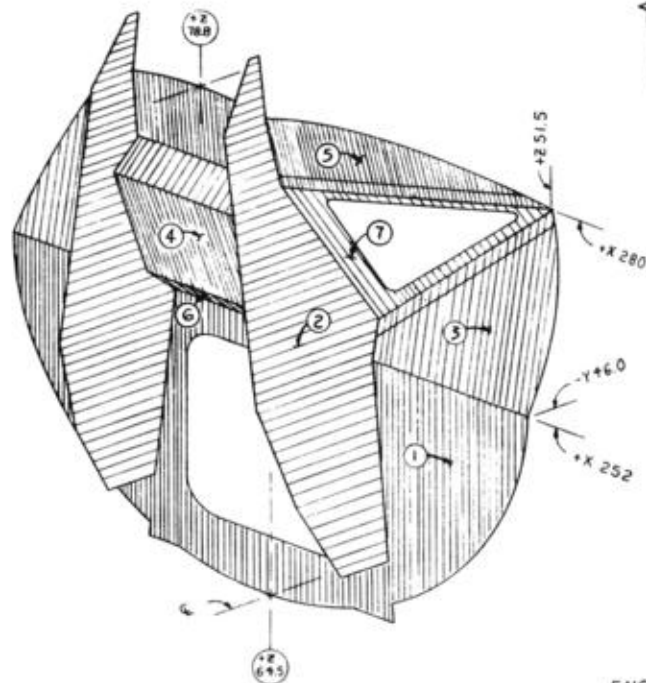
SK 17-31-34

CABIN - LDW280-54031

| ITEM | DRAWING | TITLE |
|------|--------------|-------------------------------|
| 20 | LDW280-10409 | SKIN-RH UPPER |
| 21 | LDW280-10410 | " X280 TO 252, RCLH |
| 22 | LDW280-10411 | " X252 TO 228, RCLH |
| 23 | LDW280-10412 | " L.H. LOWER |
| 24 | LDW280-10413 | " R.H. LOWER |
| 26 | LDW280-10530 | FRAME +267, 61, 55 |
| 27 | LDW280-10531 | " BROW |
| 28 | LDW280-10492 | " +251 FROM X280 UPPER |
| 29 | LDW280-10499 | " +242 " " " |
| 30 | LDW280-10501 | " +233 " X252 " |
| 31 | LDW280-10502 | " " " " LOWER |
| 32 | LDW280-10500 | " +242 " X280 " |
| 33 | LDW280-10493 | " +251 " " " |
| 34 | LDW280-10534 | " +258 " X252 " |
| 35 | LDW280-10248 | STRUCT ASSY - Z67 LEFT HAND |
| 36 | LDW280-10251 | STRUCT ASSY +267 RIGHT HAND |
| 38 | LDW280M10563 | FRAME, WINDOW, UPPER |
| 39 | LDW280-23049 | LONGERON (CRUCIFORM) LH. X228 |
| 40 | LDW280-23048 | " " " X280 |
| 41 | LDW280-23047 | " " " X252 |
| 42 | LDW280-10310 | FRAME, WINDOW |

FRONT FACE - LDW280-54011

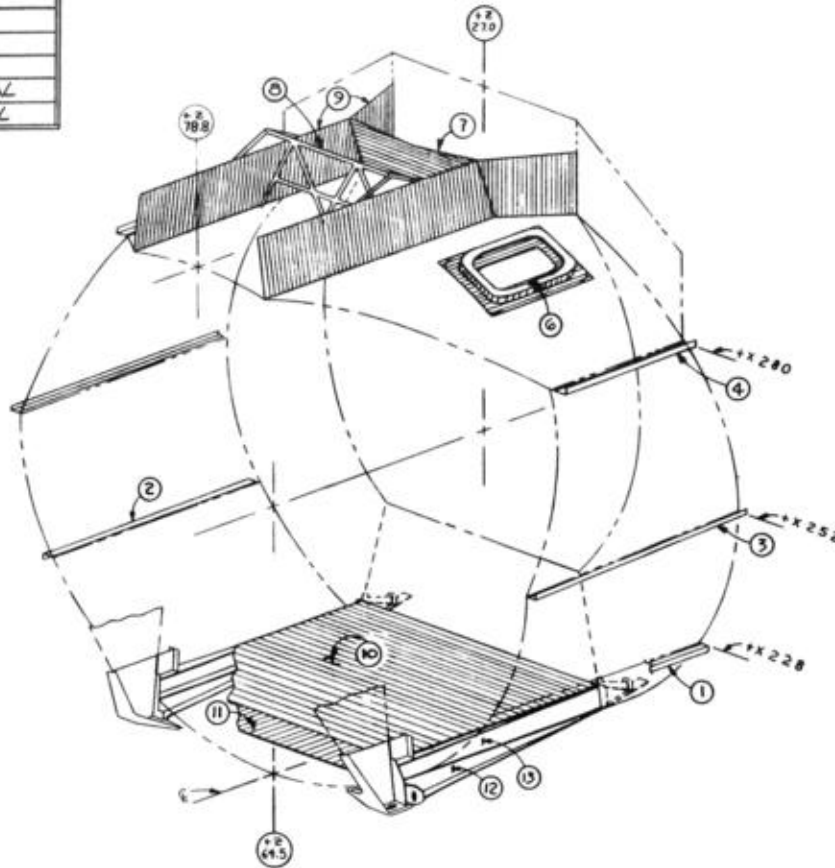
| ITEM | DRAWING | TITLE |
|------|--------------|------------------------|
| 1 | LDW280M10392 | BULKHEAD, LOWER F/F |
| 2 | LDW280M10440 | WEB F/F BEAM |
| 3 | LDW280M10366 | PANEL, CHEEK |
| 4 | LDW280-23016 | PANEL F/F CENTER |
| 5 | LDW280-23045 | F/F ASSY, BROW |
| 6 | LDW280-10474 | PANEL F/F, CAIATED |
| 7 | LDW280M10367 | FRAME ASSY CAB, WINDOW |



LM
ASCENT STAGE
FRONT FACE & CABIN
LM-4

CABIN ASSY

| ITEM | DRAWING | TITLE |
|------|--------------|------------------------------------|
| 1 | LDW280-23049 | LONGERON INSTL. X288 LH. |
| | LDW280M10791 | CAPSTRIP X288 LH. |
| 2 | LDW280-23025 | LONGERON INSTL X288 RH. |
| | LDW280M10539 | CAPSTRIP X288 RH. |
| 3 | LDW280-23047 | LONGERON INSTL X252 |
| | LDW280M10470 | CAPSTRIP X252 |
| 4 | LDW280-23048 | LONGERON INSTL. X280 |
| | LDW280M10499 | CAPSTRIP X280 |
| 6 | LDW280-53023 | WINDOW INSTL, UPPER DOCKING |
| 7 | LDW280-23114 | PANEL - Z39 CANTED |
| 8 | LDW280-23066 | FRAME INSTL - Z55, NAV. BASE SUPT. |
| 9 | LDW280-23031 | BEAM INSTL., IMU |
| 10 | LDW280M23060 | FLOOR ASSY & INSTL. |
| 11 | LDW280-10475 | BEAM INSTL. - X210, IY22 |
| 12 | LDW280M10497 | FITTING, FWD INTERSTAGE, EXTERNAL |
| 13 | LDW280M10495 | " " " " INTERNAL |



LM
ASCENT STAGE
CABIN ASSY
LM-4

SHEET 2

SK17-31-34

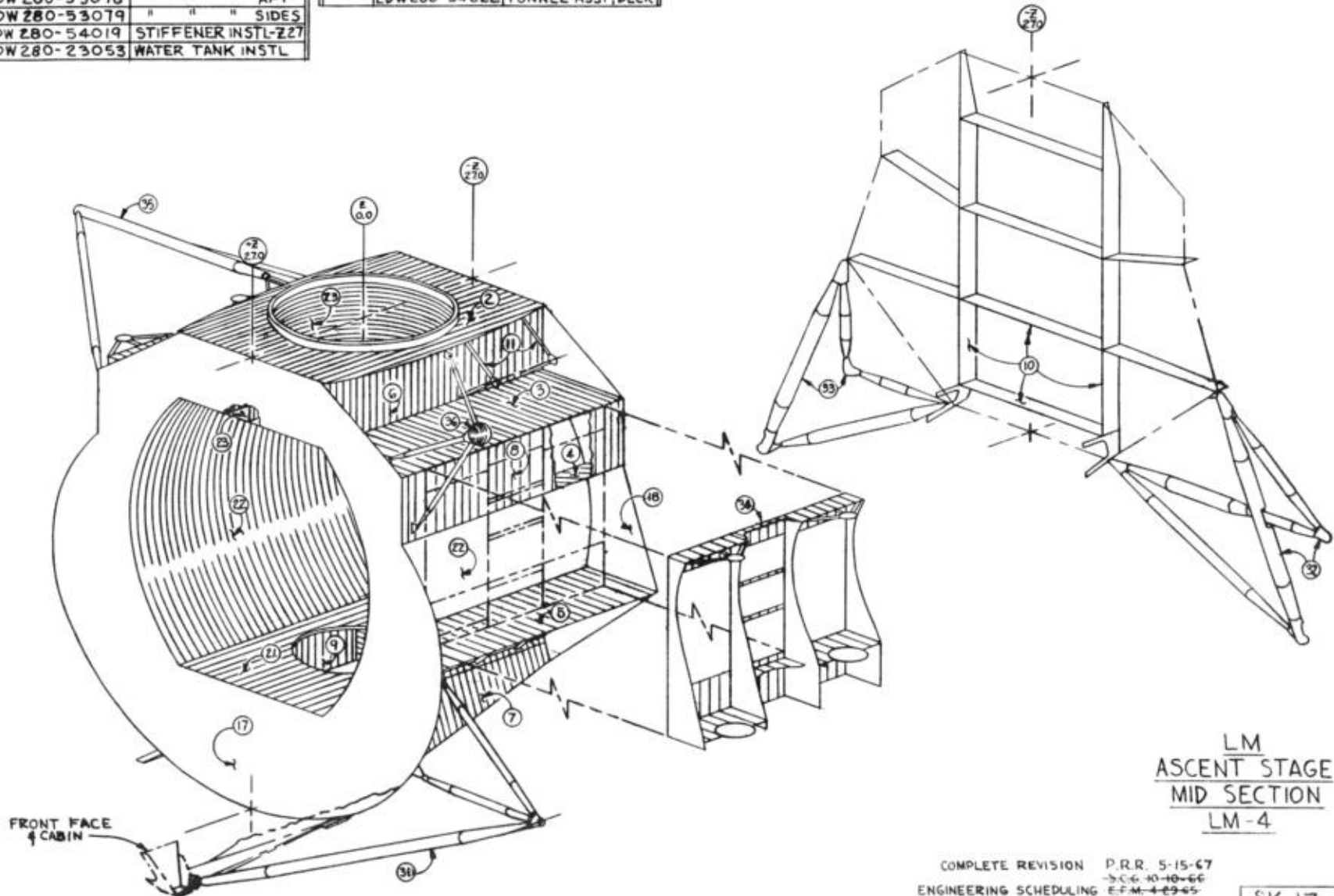
ENGINEERING SCHEDULING - E.F.M. - 3-13-65

| MID SECTION STRUCTURE LDW 280-54012 | | |
|-------------------------------------|---------------|----------------------|
| ITEM | DRAWING | TITLE |
| 1 | LDW 280-54020 | SKIN INSTL |
| 2 | LDW 280-54027 | DECK ASSY X310 |
| 3 | LDW 280-23095 | " " X294 |
| 4 | LDW 280-23032 | " " INST X277 |
| 5 | LDW 280-23029 | " INSTL X255 |
| 6 | LDW 280-23028 | BEAM ASSY INST ±Y176 |
| 7 | LDW 280-54030 | " " " ±Y22 |
| 8 | LDW 280-23044 | WEB INSTL ±Y36 3/4 |
| | LDW 280-23077 | BEAM INST, ENG FWD |
| 9 | LDW 280-53078 | " " " AFT |
| | LDW 280-53079 | " " " SIDES |
| 10 | LDW 280-54019 | STIFFENER INSTL-Z27 |
| 11 | LDW 280-23053 | WATER TANK INSTL |

| SKIN INSTL LDW 280-54020 | | |
|--------------------------|---------------|---------------------|
| 16 | LDW 280-54041 | SKIN WELD DECK ASSY |
| 17 | LDW 280M10772 | BULK HEAD, FWD |
| 18 | LDW 280M10795 | " " , AFT |

| SKIN WELD DECK ASSY LDW 280-54041 | | |
|-----------------------------------|---------------|-------------------|
| 21 | LDW 280M10434 | DECK, LOWER |
| 22 | LDW 280-23014 | SKIN ASSY |
| 23 | LDW 280-54017 | DECK ASSY, UPR |
| | LDW 280-54022 | TUNNEL ASSY, DECK |

| STRUCTURE ASSY A/S LDW 280-54002 | | |
|----------------------------------|---------------|-----------------------|
| 31 | LDW 280-53024 | TRUSS INSTL TANK SUPT |
| 32 | LDW 280-54036 | " " AFT LH |
| 33 | LDW 280-54037 | " " " R.H. |
| 34 | LDW 280-54144 | RCS MODULE INSTL SUPT |
| 35 | LDW 280-23256 | STEERABLE ANT SUPT |
| 36 | LDW 280-23257 | FWD VHF ANTENNA SUPT |
| 38 | LDW 280-54012 | MID SECTION STRUCTURE |



LM
ASCENT STAGE
MID SECTION
LM-4

COMPLETE REVISION P.R.R. 5-15-67
ENGINEERING SCHEDULING -5-C-6 10-10-66 E.F.M. 4-29-65

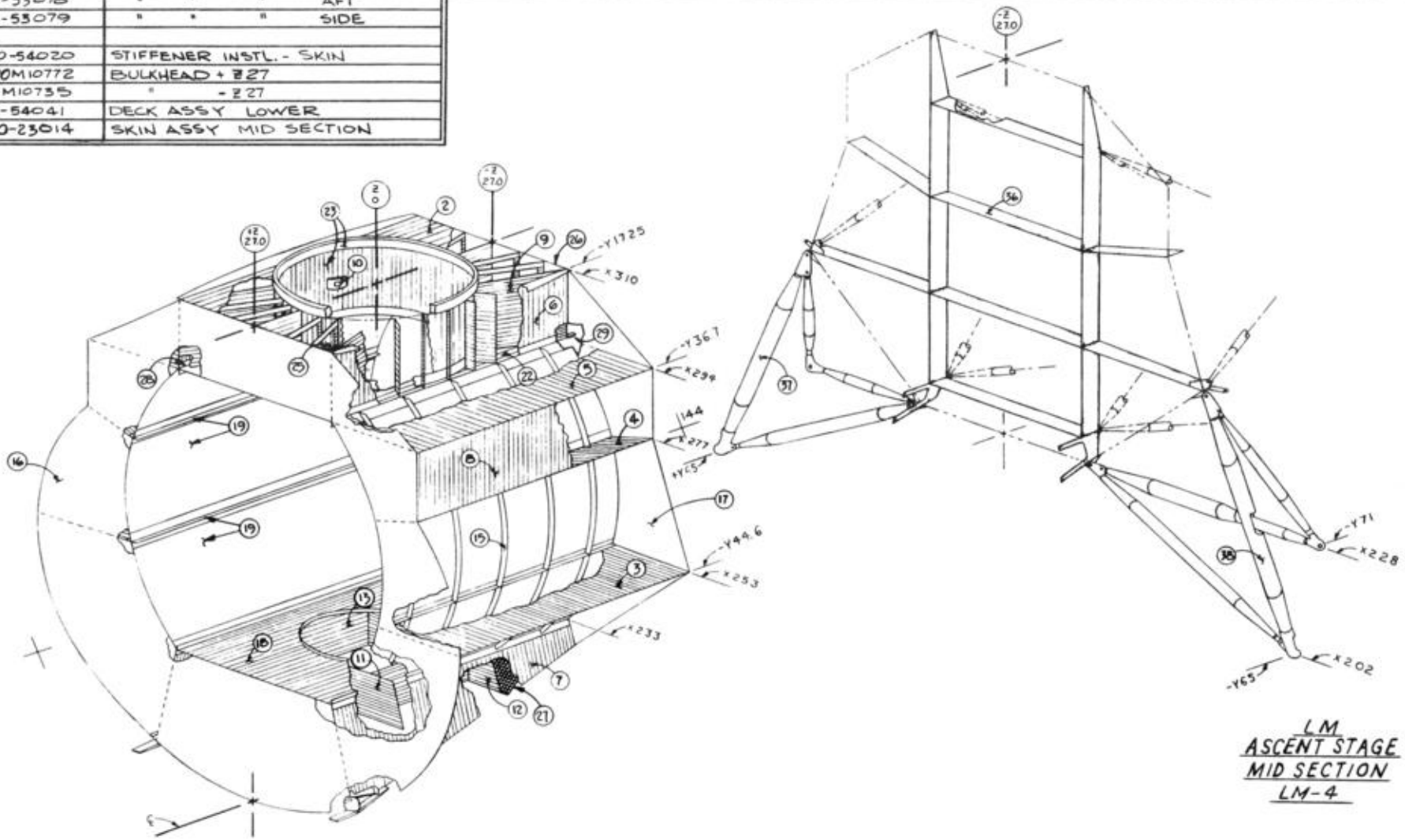
SK 17-32-34

MID SECTION STRUCTURAL ASSEMBLY LDW280-54012

| ITEM | DRAWING | TITLE |
|------|--------------|---------------------------------|
| 2 | LDW280-54027 | DECK ASSY X 310 |
| 3 | LDW280-23029 | DECK INSTL X253 |
| 4 | LDW280-23032 | DECK ASSY & INSTL X 277 CANTED |
| 5 | LDW280-23035 | " " " " X 294 |
| 6 | LDW280-23028 | BEAM ASSY & INSTL ± Y 17.25 |
| 7 | LDW280-54030 | " " " " ± Y 22 |
| 8 | LDW280-23044 | WEB INSTL ± Y 36.7 |
| 9 | LDW280-53050 | " " DOCKING TUNNEL |
| 10 | LDW280-52076 | FTG INSTL DKG. TNL DROGUE SUPT. |
| 11 | LDW280-23077 | BEAM INSTL. ENGINE; FORWARD |
| 12 | LDW280-53078 | " " " " AFT |
| 13 | LDW280-53079 | " " " " SIDE |
| 15 | LDW280-54020 | STIFFENER INSTL. - SKIN |
| 16 | LDW280M10772 | BULKHEAD + Z 27 |
| 17 | LDW280M10735 | " " - Z 27 |
| 18 | LDW280-54041 | DECK ASSY LOWER |
| 19 | LDW280-23014 | SKIN ASSY MID SECTION |

| ITEM | DRAWING | TITLE |
|------|--------------|---------------------------------|
| 22 | LDW280-54017 | DECK ASSY UPPER X294 |
| 23 | LDW280-54022 | TUNNEL ASSY-UPPER DOCKING |
| 25 | LDW280-23126 | FITTING INSTL + Z 27, ± Y 17.25 |
| 26 | LDW280-23127 | " " - Z 27, ± Y 17.25 |
| 27 | LDW280-53100 | STIFFENER INSTL. LOWER DECK |
| 28 | LDW280-23124 | FITTING INSTL + Z 27 ± 17.25 |
| 29 | LDW280-23125 | " " - Z 27 ± 17.25 |

| ITEM | DRAWING | TITLE |
|------|--------------|---------------------------------|
| 36 | LDW280-54019 | STIFFENER INSTL - Z 27 BULKHEAD |
| 37 | LDW280-54036 | AFT INTER STAGE TRUSS, LH. |
| 38 | LDW280-54037 | " " " " , RH. |



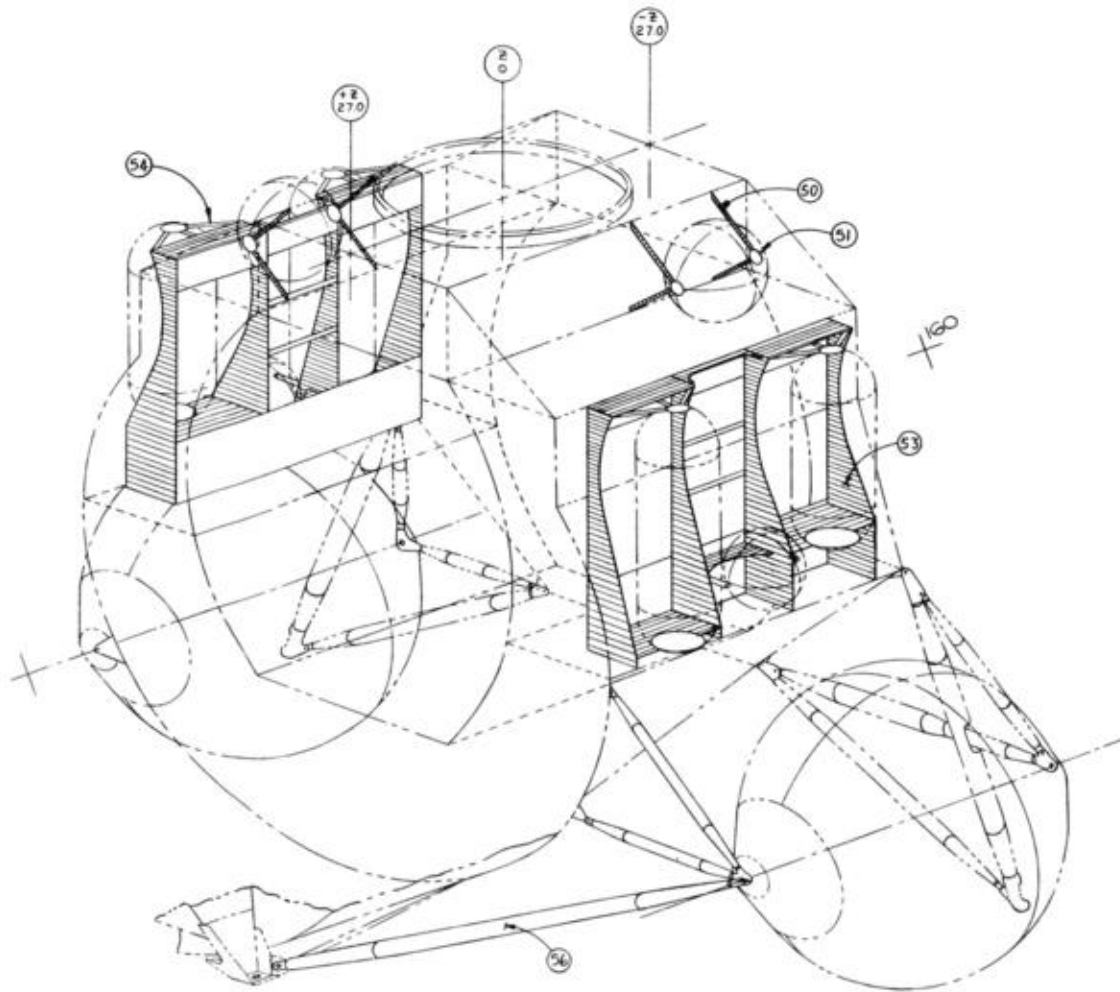
LM
ASCENT STAGE
MID SECTION
LM-4

10-10-66
ENGINEERING SCHEDULING - E.F.M. 4-13-65

SHEET 1
SK17-32-34

MID SECTION

| ITEM | DRAWING | TITLE |
|------|--------------|----------------------------------|
| | LDW280-23053 | TANK INSTL-WATER |
| 50 | LDW280M10435 | FITTING, WATER TANK, LWR SUPPORT |
| 51 | LDW280M10285 | RETAINER, WATER TANK |
| | LDW280-54026 | TANK SUPT. ASSY & INSTL, RCS |
| 53 | LDW280-10546 | FRAME, TANK SUPT, RCS |
| 54 | LDW280-10556 | ANGLE TANK SUPT, RCS |
| | | |
| 56 | LDW280-23024 | TANK SUPPORT ASSY-FUEL |
| | | |



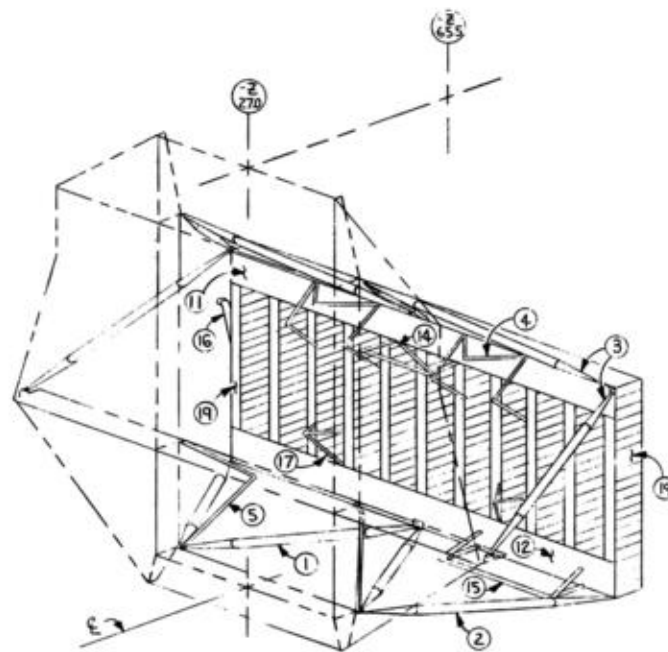
LM
 ASCENT STAGE
 MID SECTION
 LM-4

10-10-66
 ENGINEERING SCHEDULING - E.F.M. 4-29-65

SHEET 2
 SK17-32-34

| AFT EQUIP BAY STRUCT LDW 280-54401 | | |
|------------------------------------|---------------|-------------------------|
| ITEM | DRAWING | TITLE |
| 1 | LDW 280-14222 | TUBE RACK SUPT, INBOARD |
| 2 | LDW 280-14223 | " " " OUTBOARD |
| 3 | LDW 280-14224 | " " " UPPER |
| 4 | LDW 280-23434 | FITTING & HE SUPT INSTL |
| 5 | LDW 280-54405 | RACK ASSEMBLY |

| ⑤ RACK ASSEMBLY LDW 280-54405 | | |
|-------------------------------|---------------|-------------------------|
| ITEM | DRAWING | TITLE |
| 11 | LDW 280-14112 | BEAM ASSY HORZL UPR/272 |
| 12 | LDW 280-14113 | " " " LWR/233 |
| 14 | LDW 280-23421 | SUPT INSTL UPR CENT. |
| 15 | LDW 280-23422 | " " " LWR OUTB. |
| 16 | LDW 280-23430 | " " " 5" BAND ANT |
| 17 | LDW 280-23433 | " " " GOX TANK |
| 19 | LDW 280-54406 | BEAM ASSY VERT 5 |
| | LDW 280-54407 | " " " ±Y7 |
| | LDW 280-54408 | " " " ±Y14 |
| | LDW 280-54409 | " " " ±Y21 |
| | LDW 280-54410 | " " " ±Y28 |
| | LDW 280-54411 | " " " ±Y35 |



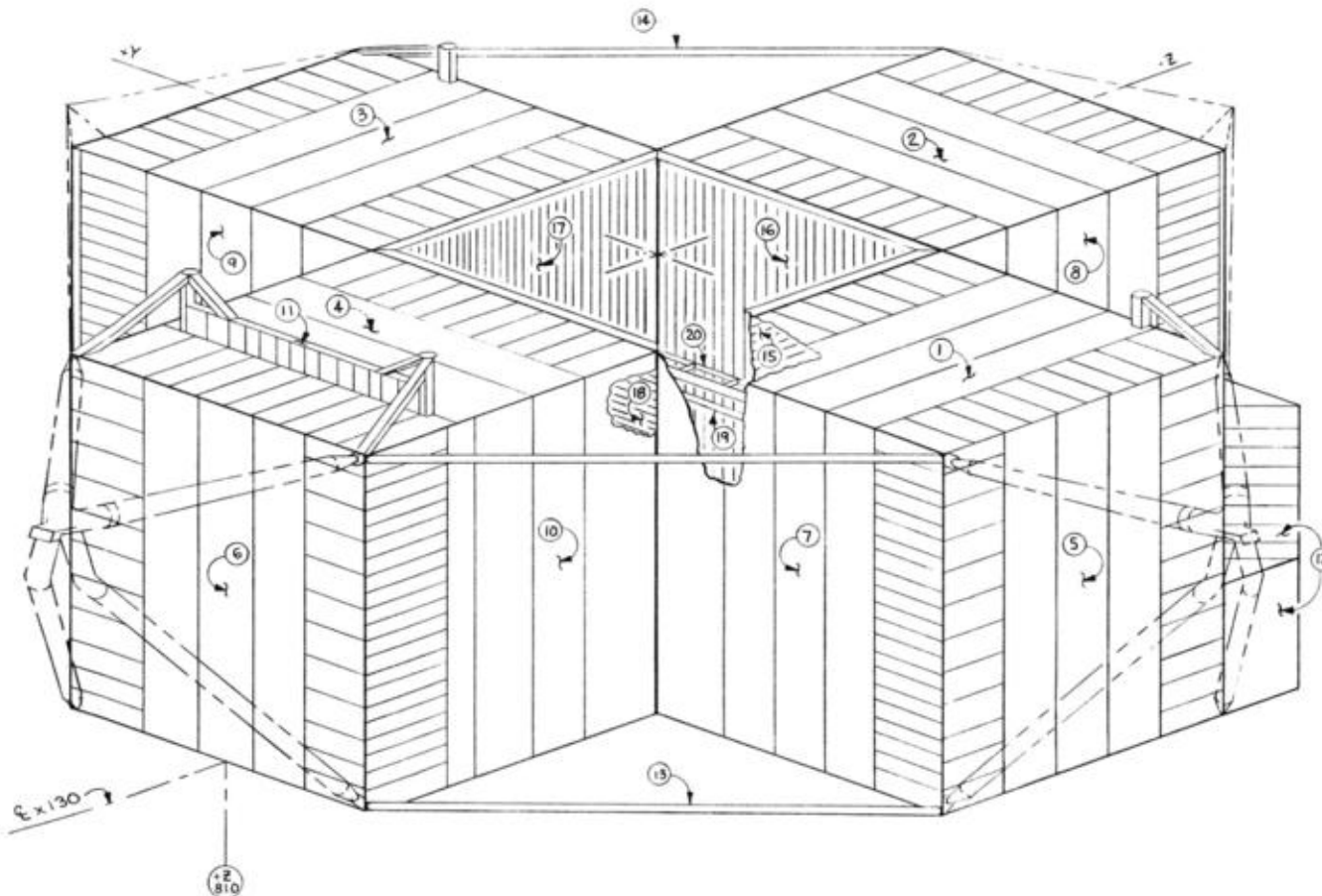
LM
ASCENT STAGE
AFT EQUIPMENT BAY
LM-4

COMPLETE REVISION PRR 7-11-67
5-C-10-10-67
ENGINEERING SCHEDULING FFM 3-22-67

SK 17-33-34

DESCENT STAGE STRUCTURE INSTL LDW 280-54510

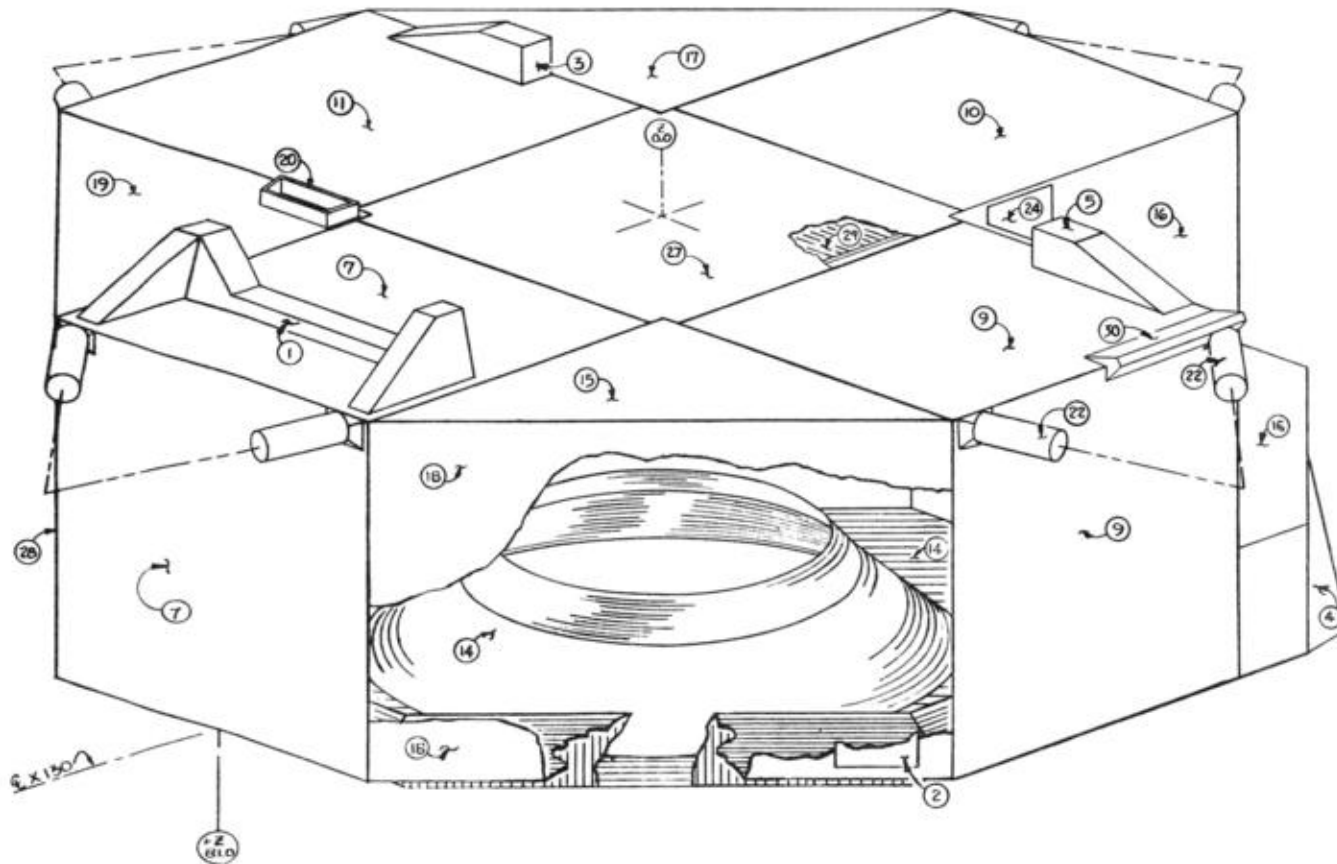
| ITEM | DRAWING | TITLE | ITEM | DRAWING | TITLE | ITEM | DRAWING | TITLE |
|------|---------------|---------------------|------|---------------|-----------------------|------|---------------|---------------------|
| 1 | LDW 280-54521 | DECK INSTL LH UPPER | 8 | LDW 280-23539 | PANEL INSTL AFT LH | 15 | LDW 280-23538 | PANEL INSTL ENGL LH |
| 2 | LDW 280-54523 | " " " AFT | | LDW 280-23536 | " " " RH | 16 | LDW 280-23532 | " " " AFT |
| 3 | LDW 280-54520 | " " " RH | 9 | LDW 280-54528 | " " " RH FWD | 17 | LDW 280-23537 | " " " RH |
| 4 | LDW 280-54522 | " " " FWD | | LDW 280-54531 | " " " AFT | 18 | LDW 280-23527 | " " " FWD |
| 5 | LDW 280-54525 | BULKHEAD INSTL LH | 10 | LDW 280-54537 | " " " FWD LH | 19 | LDW 280-23550 | BEAM " " TRUSS |
| | LDW 280-54524 | " " " RH | | LDW 280-54534 | " " " RH | 20 | LDW 280-23551 | " " " AFT |
| 6 | LDW 280-54526 | " " " FWD | 11 | LDW 280-23540 | BEAM ASSY SUPT | | | |
| | LDW 280-54527 | " " " AFT | 12 | LDW 280-23569 | SUPT INSTL SCI EQ BAY | | | |
| 7 | LDW 280-23530 | PANEL INSTL LH FWD | 13 | LDW 280-23547 | STRUT INSTL LWR | | | |
| | LDW 280-54533 | " " " AFT | 14 | LDW 280-23549 | " " " UPPER | | | |



LM
DESCENT STAGE
STRUCTURE
LM-4

PRR 7-1467
ENGINEERING SCHEDULING 566-4-67
WAS SK17 50-34 SK-17-51-34

| DESCENT STAGE | | THERMAL SHIELDING | | LDW 280-54553 | |
|---------------|--------------|---------------------------|------|---------------|-------------------------|
| ITEM | DRAWING | TITLE | ITEM | DRAWING | TITLE |
| 1 | LDW280-28644 | FORWARD INTERSTAGE | 14 | LDW280-28661 | BASE HEAT SHIELD INSTL. |
| 2 | LDW280-28645 | ACCESS COV INSTL. PISS | 15 | LDW280-52664 | SHIELD INSTL QUAD I |
| 3 | LDW280-28646 | BLANKET INSTL. AFT RH. HE | 16 | LDW280-52665 | SHIELD INSTL QUAD II |
| 4 | LDW280-52648 | ACCESS COVER 'DEQ DAY | 17 | LDW280-28666 | SHIELD INSTL QUAD III |
| 5 | LDW280-28649 | L.H. AFT INTERSTAGE | 18 | LDW280-54558 | " " " I |
| | | | 19 | LDW280-28667 | SHIELD INSTL QUAD IV |
| 7 | LDW280-52656 | FORWARD THERMAL | 20 | LDW280-51671 | GUILLOTINE ACCESS COVER |
| | | | | | |
| 9 | LDW280-51657 | L.H. THERMAL | 22 | LDW280-28672 | SHIELD INSTL OUTRIGGER |
| 10 | LDW280-52658 | AFT THERMAL | | | |
| 11 | LDW280-52659 | R.H. THERMAL | | | |
| | | | 24 | LDW280-51818 | SHIELD ASSY & INSTL |



LM
DESCENT STAGE
THERMAL SHIELDING
LM-4

P.R.R. 7-17-67
ENGINEERING SCHEDULING 48-15-67 SK-17-52-34